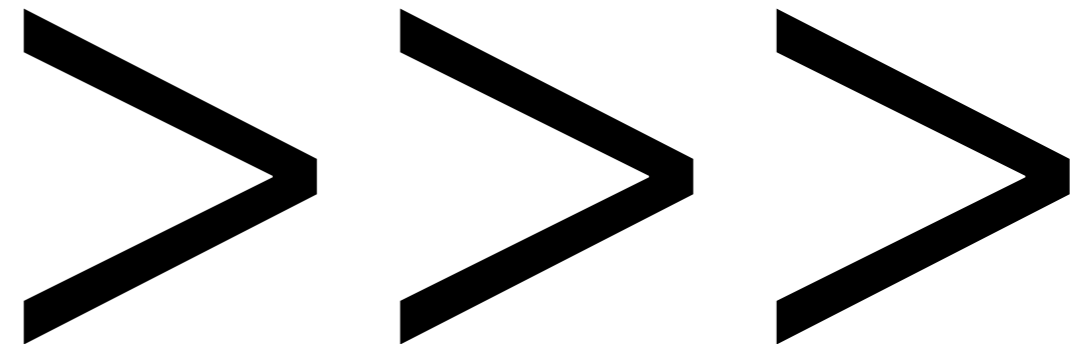


DISCOVER

FILIX



Filix, a manufacturer of world-class lighting products and systems used by lighting designers, architects and engineers to illuminate interior and exterior architecture.

>

Filix designs, engineers and manufactures high-quality, high-performance LED lighting instruments for outdoor and indoor applications. We design our products to fit seamlessly within the architecture, offering an aesthetic solution during the day. The optical systems are designed to provide industry-leading performance, directing light where intended while eliminating glare. Lastly, Filix products are engineered and tested to survive in any outdoor environment. We believe in sustainable products made from materials that are optimal for the environment where they are installed and easily maintainable LED engines and power supplies to ensure the long life of the installation.

Located in the beautiful Istrian Peninsula of Croatia, Filix takes its cues from our neighbors, Italy and Austria. Our culture is based on respect for natural resources and the desire to bring beauty and quality to all we do.

FILIX

ABOUT

About R&D

Our goal is to develop families of products to allow designers to create environments and effects with a minimum number of products, all with a common language. All Filix products are designed, engineered and tested in-house, ensuring that they abide by our high standards of quality and performance in order to deliver the very best lighting instruments to our customers.

How we do it

By designing all products inside the company, Filix maintains control over every component that goes into each product. All new products, as well as custom products, go through rigorous environmental testing to ensure that the product will perform in all environments and maintain sustainability whether installed under the water, in the ground, driven over by trucks or exposed to climate extremes. Only when the stringent design parameters are met does the product go into production.

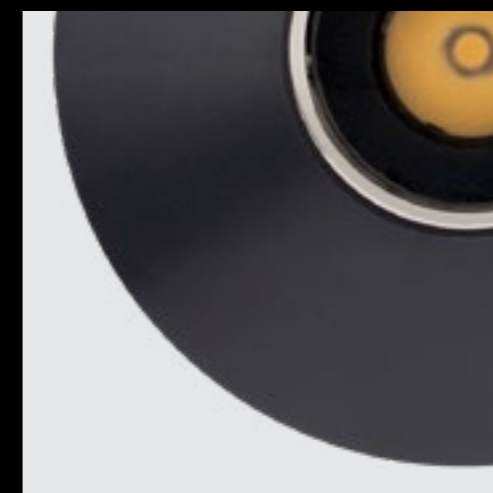
Filix Lighting Team

Filix maintains a very close relationship with the market through our worldwide network of lighting sales agencies, as well as direct involvement with designers throughout Europe, Asia and the USA. The Filix sales department and the application engineering and design departments are in daily contact with product users and influencers, gaining valuable insight into the uses of our products and potential new products. Through these relationships we gain ideas that guide us in the development of the Filix range of products.

CONTENTS

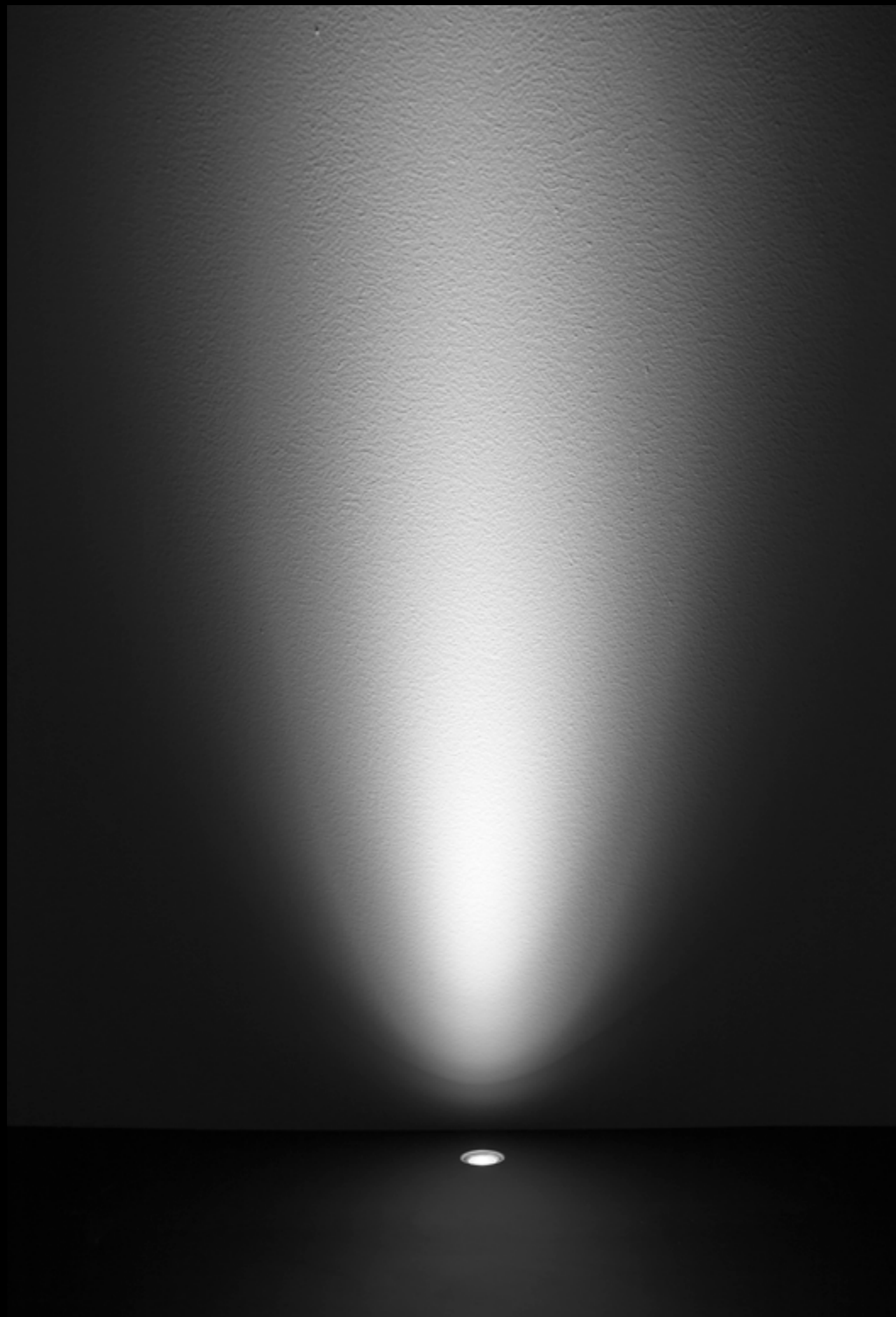
RDD35	9	ZERO G	93
RDP35	13	ETER	97
RDW35	17	STEP UP DECO	101
SQD35	21	SLIM	105
SQP35	25	STEP UP WIDE	109
SQW35	29	SNAKE	113
FARO60	33	SNAKE DECO	117
RDT60	37	ION SWITCH	121
RDD60	41	ION MATRIX	125
RDP60	45	HEMERA HECTO	129
RDW60	49	HEMERA	133
RDT100	53		
RDD100	57	ARPOOL S PROJECTOR	139
RDP100	61	ARPOOL M PROJECTOR	143
RDW100	65	ARPOOL XM PROJECTOR	147
RDD140	69	ARPOOL S	151
RDD200	73	ARPOOL M	155
SQD100	77	ARPOOL XM	159
SQT100	81	ARPOOL L	163
SQP100	85	ARPOOL DAWN	167
SQW100	89	ARPOOL CORAL	171
		ARPOOL NEXUS	175
		ARPOOL LINEAR RECESSED	179
		ARPOOL STYLE	185
		ARPOOL LINEAR SURFACE	188
		ARPOOL IRIS EFECTA	192
		ARPOOL IRIS BIBFECTA	196
		ARPOOL IRIS TRIFECTA	200

RDD35 Deco



Round LED uplight with high performance optics for outdoor and indoor use, floor and wall installation.

ABS housing with flush clear tempered glass lens for trim and trimless integration into grade. Recessed low glare led source. Drive over rated.



RDD35 Deco

> Electrical

24 VDC fixture voltage
L - 1,2W - 68 lm
H - 3W - 186 lm

> Technical

IP67
CLASS III
IK10
UL STD 1598
Drive over rated
1500 kg
(3300lb)

Clear tempered glass
3/8" (10mm)
Stainless steel (304) ring
Anodized aluminium body
ABS installation housing

> Color

27 - 2700K
30 - 3000K
2 Step MacAdam
CRI: >85

> Cable

C* - standard 0.3m
3 - 3m
6 - 6m
9 - 9m

> Optics



SP Spot 17°
SX Spot 17°+ hex



FL Flood 41°
FX Flood 41°+ hex

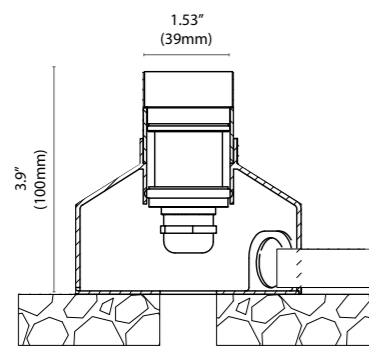


GR Graze 13°x41°
GR Graze 13°x41°+ hex

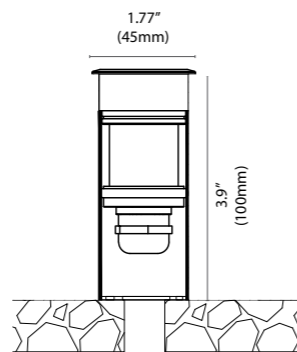
> Glare options

Glare control
0 - no half moon
1 - with half moon

> Installation



Concrete



Tiles

> Installation housing order codes

RD35C - Concrete
RD35T - Tiles

Ordering Information

RDD35							
						24	
Model	Installation	Power	Color Temp.	Optics	Voltage	Options	Glare Options
RDD35	TM	L	27	SP	24	C	0
	TS	H	30	FL		3	1
				GR		6	
				SX		9	
				FX			
				GX			



Power Supply

On/Off
103227 - LPV 35W 24V
100995 - LPV 60W 24V
104460 - LPV 150W 24V

Power Supply integrated controls
102345 - ELDOLED Linear 100S (DXM,DALI+PS)
104406 - Mono Dali 240W
103507 - OT250/220...240/ 24V DIM P (1-10V)

RDP35 Paver



Round LED marker light for outdoor and indoor use, floor and wall installation. Aluminum housing with flush clear tempered glass lens for trim and trimless integration into grade. Recessed low glare led source. Drive over rated.



RDP35 Paver

> Electrical

24VDC fixture voltage
L - 1,2W - 26 lm
H - 3W - 65 lm

> Technical

IP67
CLASS III
IK10
UL STD 1598
Drive over rated
1500 kg (3000lb)

Low glare
Stainless steel (304) ring
Anodized aluminium body
ABS installation housing

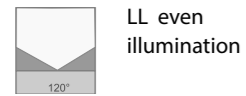
> Color

27 - 2700K
30 - 3000K
2 Step MacAdam
CRI: > 85

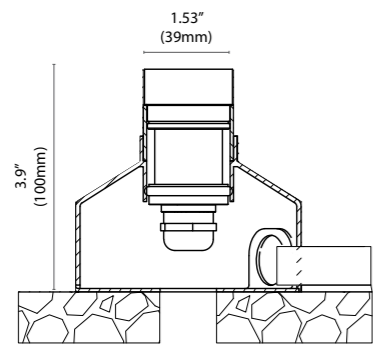
> Cable

C* - standard 0.3m
3 - 3m
6 - 6m
9 - 9m

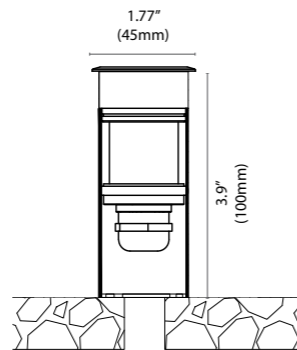
> Optics



> Installation



Concrete



Tiles

> Installation housing order codes

RD35C - Concrete
RD35T - Tiles

Ordering Information						
Model	Installation	Power	Color Temp.	Optics	Voltage	Options
RDP35				LL	24	
RDP35	TM TS	L H	27 30	LL	24	C 3 6 C



Power Supply

On/Off	Power Supply integrated controls
103227 - LPV 35W 24V	102345 - ELDOLED Linear 100S (DXM,DALI+PS)
100995 - LPV 60W 24V	104406 - Mono Dali 240W
104460 - LPV 150W 24V	103507 - OT250/220...240/ 24V DIM P (1-10V)

RDW35 WallWash



Round LED wallwash asymmetric
uplight with high performance
optics for outdoor and indoor
use, floor and wall installation.
ABS housing with flush clear
tempered glass lens and
stainless steel ring for trim and
trimless integration.
Recessed no glare led source
with AGS - ANTI GLARE SYSTEM



RDW35 WallWash

> Electrical

24 VDC fixture voltage
L - 1,2W - 14 lm
H - 3W - 32 lm

> Technical

IP67	Clear tempered glass
CLASS III	3/8" (10mm)
IK10	Stainless steel (304) ring
UL STD 1598	Anodized aluminium body
Drive over rated	ABS installation housing
1500 kg	
(3300lb)	

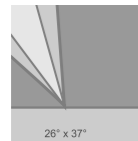
> Color

27 - 2700K
30 - 3000K
2 Step MacAdam
CRI: >85

> Cable

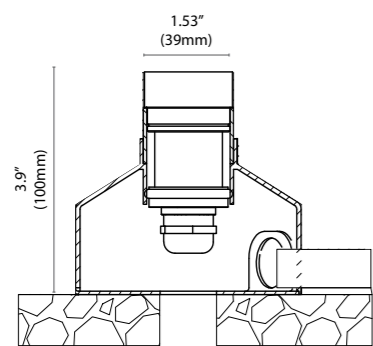
C* - standard 0.3m
3 - 3m
6 - 6m
9 - 9m

> Optics

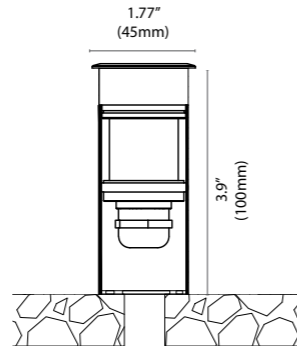


WW WallWash
26x37° tilt 14°

> Installation



Concrete



Tiles

> Installation housing order codes

RD35C - Concrete
RD35T - Tiles

Ordering Information

Model	Installation	Power	Color Temp.	Optics	Voltage	Options
RDW35	TM TS	L H	27 30	WW	24	C 3 6 9



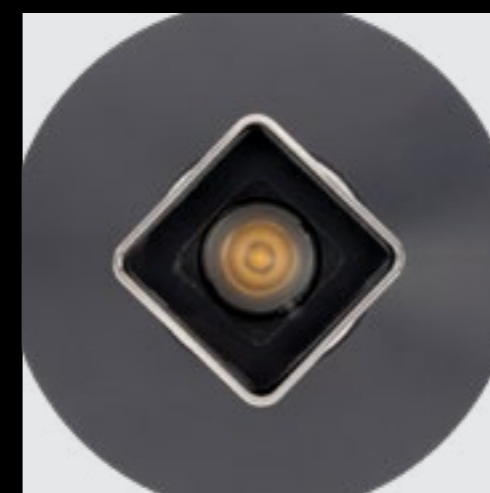
Power Supply

On/Off	Power Supply integrated controls
103227 - LPV 35W 24V	102345 - ELDOLED Linear 100S (DXM,DALI+PS)
100995 - LPV 60W 24V	104406 - Mono Dali 240W
104460 - LPV 150W 24V	103507 - OT250/220...240/ 24V DIM P (1-10V)

SQD35 Deco



Square LED uplight with high performance optics for outdoor and indoor use, floor and wall installation. ABS housing with flush clear tempered glass lens for trim and trimless integration into grade. Recessed low glare led source. Drive over rated.



SQD35 Deco

> Electrical

24 VDC fixture voltage
L - 1,2W - 68 lm
H - 3W - 186 lm

> Technical

IP67
CLASS III
IK10
UL STD 1598
Drive over rated
1500 kg
(3000lb)

Clear tempered glass
3/8" (10mm)
Stainless steel (304) ring
Anodized aluminium body
ABS installation housing

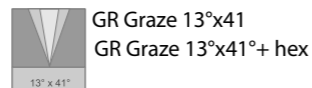
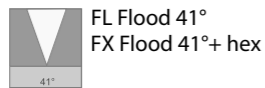
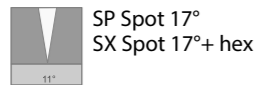
> Color

27 - 2700K
30 - 3000K
2 Step MacAdam
CRI: >85

> Cable

C* - standard 0.3m
3 - 3m
6 - 6m
9 - 9m

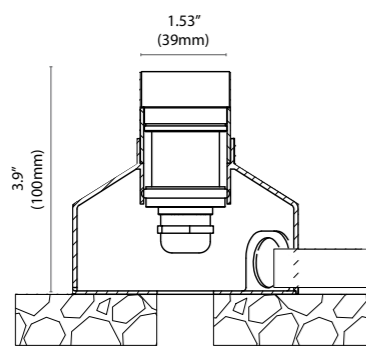
> Optics



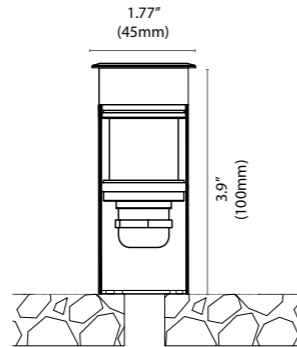
> Glare options

Glare control
0 - no half moon
1 - with half moon

> Installation



Concrete



Tiles

> Installation housing order codes

SQ35C - Concrete
SQ35T - Tiles

Ordering Information

SQD35		24					
Model	Installation	Power	Color Temp.	Optics	Voltage	Options	Glare options
SQD35	TM TS	L H	27 30	SP FL GR SX FX GX	24	C 3 6 9	0 1



Power Supply

On/Off	Power Supply integrated controls
103227 - LPV 35W 24V	102345 - ELDOLED Linear 100S (DXM,DALI+PS)
100995 - LPV 60W 24V	104406 - Mono Dali 240W
104460 - LPV 150W 24V	103507 - OT250/220...240/ 24V DIM P (1-10V)

SQP35 Paver



Square LED marker light for outdoor and indoor use, floor and wall installation. ABS housing with flush clear tempered glass lens for trim and trimless integration into grade. Recessed low glare led source. Drive over rated.



SQP35 Paver

> Electrical

24 VDC fixture voltage
L - 1,2W - 26 lm
H - 3W - 65 lm

> Technical

IP67
CLASS III
IK10
UL STD 1598
Drive over rated
1500 kg (3000lb)

Low glare
Stainless steel (304) ring
Anodized aluminium body
ABS installation housing

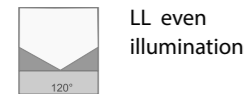
> Color

27 - 2700K
30 - 3000K
2 Step MacAdam
CRI: > 85

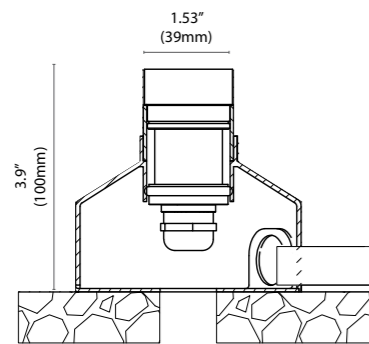
> Cable

C* - standard 0.3m
3 - 3m
6 - 6m
9 - 9m

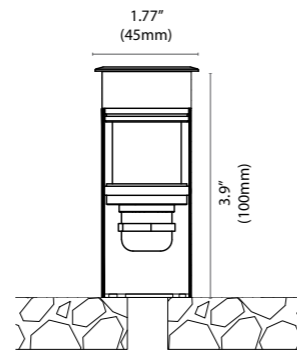
> Optics



> Installation



Concrete



Tiles

> Installation housing order codes

SQ35C - Concrete
SQ35T - Tiles

Ordering Information						
SQP35		24				
Model	Installation	Power	Color Temp.	Optics	Voltage	Options
SQP35	TM TS	L H	27 30	LL	24	C 3 6 9



Power Supply

On/Off	Power Supply integrated controls
103227 - LPV 35W 24V	102345 - ELDOLED Linear 100S (DXM,DALI+PS)
100995 - LPV 60W 24V	104406 - Mono Dali 240W
104460 - LPV 150W 24V	103507 - OT250/220...240/ 24V DIM P (1-10V)

SQW35 WallWash



Square LED wallwash
asymetric uplight with high
performance optics for
outdoor and indoor use,
floor and wall installation.
ABS housing with flush clear
tempered glass lens and
stainless steel ring for trim and
trimless integration.
Recessed no glare led source
with AGS - ANTI GLARE SYSTEM





SQW35 WallWash

> Electrical

24 VDC fixture voltage
L - 1,2W - 15 lm
H - 3W - 32 lm

> Technical

IP67	Clear tempered glass
CLASS III	3/8" (10mm)
IK10	Stainless steel (304) ring
UL STD 1598	Anodized aluminium body
Drive over rated	ABS installation housing
1500 kg	
(3000lb)	

> Color

27 - 2700K
30 - 3000K
2 Step MacAdam
CRI: >85

> Cable

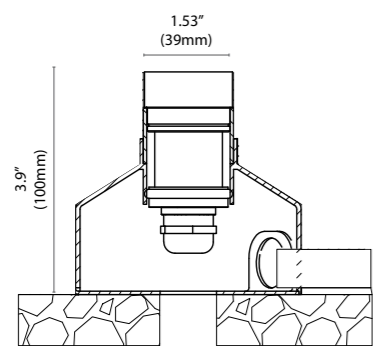
C* - standard 0.3m
3 - 3m
6 - 6m
9 - 9m

> Optics

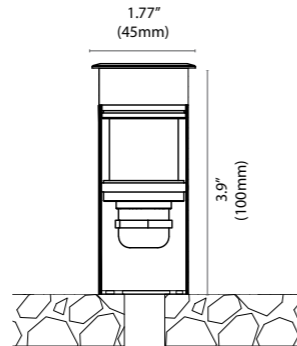


WW WallWash
26x37° tilt 14°

> Installation



Concrete



Tiles

> Installation housing order codes

SQ35C - Concrete
SQ35T - Tiles

Ordering Information

Model	Installation	Power	Color Temp.	Optics	Voltage	Options
SQW35	TM TS	L H	27 30	WW	24	C 3 6 9



Power Supply

On/Off	Power Supply integrated controls
103227 - LPV 35W 24V	102345 - ELDOLED Linear 100S (DXM,DALI+PS)
100995 - LPV 60W 24V	104406 - Mono Dali 240W
104460 - LPV 150W 24V	103507 - OT250/220...240/ 24V DIM P (1-10V)

FILIX

Faro 60



LED projector with base and spike installation, high performance optics for indoor and outdoor use. Machined aluminum housing for superior heat dissipation. Recessed low glare led source. Base and spike support for installation with 180° circular adjustability and 95° head adjustment.



Faro 60

> Electrical

24 VDC fixture voltage
8W - 720 Lm

> Technical

IP66
Class III
ULSTD1598
IK08
Outdoor surface mount
Spike
Tree Strap

> Color

27 - 2700K
30 - 3000K
2 Step MacAdam
CRI: 85

> Optics



SP Spot 10°



FL Flood 30°



GR Graze 49x34°

> Finish

W - RAL 9003 Structure (white)
AT - RAL 7016 Structure (grey antrachite)
B - RAL 9005 Structure (black)

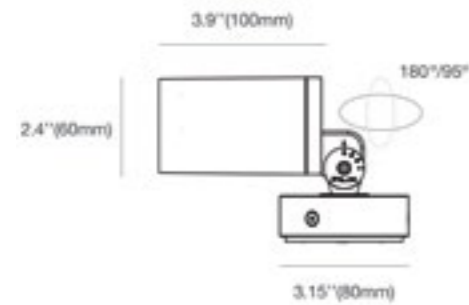
> Options

SK - Spike

> Accessories

FRSN - Snoot
FRST - Tree strap

> Dimensions



Ordering Information¹

Model	Power	Color Temp.	Optics	Finish	Options	Accessories
FR60	L	27 30 40	SP FL GR	W AT B	SK	FRSN FRST



Power Supply

On/Off	Power Supply integrated controls
103227 - LPV 35W 24V	102345 - ELDOLED Linear 100S (DXM,DALI+PS)
100995 - LPV 60W 24V	104406 - Mono Dali 240W
104460 - LPV 150W 24V	103507 - OT250/220...240/ 24V DIM P (1-10V)

RDT60 Tilt Adjustable



Round LED uplight with high performance optics for outdoor and indoor use, floor and wall installation. ABS housing with flush clear tempered glass lens and stainless steel for trim and trimless integration into grade. Recessed low glare led source tilt adjustable mechanism.



RDT60 Tilt Adjustable 20°

> Electrical

24 VDC fixture voltage
H - 6W - 450 lm

> Technical

IP67
CLASS III
IK010
UL STD 1598
Drive over
rated 1500 kg
(3300lb)

Clear tempered glass
3/8" (10mm)
Stainless steel (304)ring
Anodized aluminium body
ABS installation
housing

> Color

27 - 2700K
30 - 3000K
2 Step MacAdam
CRI: > 85

> Cable

C* - standard 0.3m
3 - 3m
6 - 6m
9 - 9m

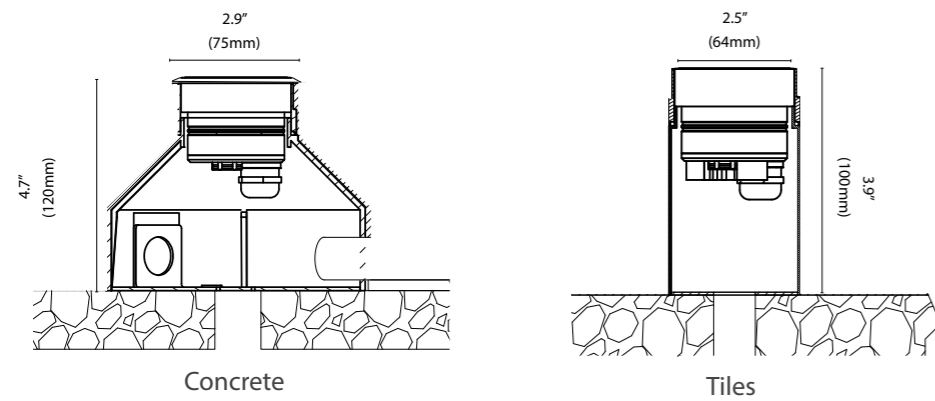
> Optics



> Glare options

Glare control
0 - no half moon
1 - with half moon

> Installation



> Installation housing order codes

RD60C - Concrete
RD60T - Tiles

Ordering Information

Model	Installation	Power	Color Temp.	Optics	Voltage	Options	Glare control
RDT60	TM TS	H	27 30	SP FL SX FX	24	C 3 6 9	0 1



Power Supply

On/Off 103227 - LPV 35W 24V 100995 - LPV 60W 24V 104460 - LPV 150W 24V	Power Supply integrated controls 102345 - ELDOLED Linear 100S (DXM,DALI+PS) 104406 - Mono Dali 240W 103507 - OT250/220...240/ 24V DIM P (1-10V)
---	--

RDD60 Deco



Round LED uplight with high performance optics for outdoor and indoor use, floor and wall installation. ABS housing with flush clear tempered glass lens and stainless steel for trim and trimless integration into grade. Recessed low glare led source.



RDD60 Deco

> Electrical

24 VDC fixture voltage
H - 6W - 450 lm

> Technical

IP67
CLASS III
IK10
UL STD 1598
Drive over
rated 1500 kg
(3300lb)

Clear tempered glass
3/8" (10mm)
Stainless steel (304) ring
Anodized aluminium body
ABS installation
housing

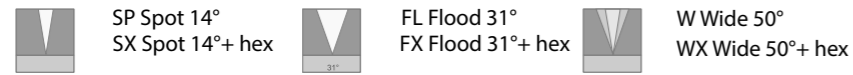
> Color

27 - 2700K
30 - 3000K
2 Step MacAdam
CRI: > 85

> Cable

C* - standard 0.3m
3 - 3m
6 - 6m
9 - 9m

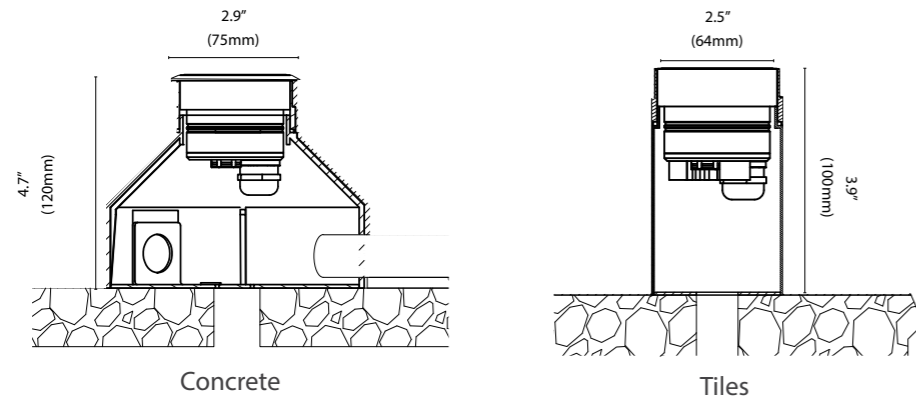
> Optics



> Glare options

Glare control
0 - no half moon
1 - with half moon

> Installation



> Installation housing order codes

RD60C - Concrete
RD60T - Tiles

Ordering Information							
Model	Installation	Power	Color Temp.	Optics	Voltage	Options	Glare control
RDD60		H			24		
RDD60	TM TS	H	27 30	SP FL W SX FX WX	24	C 3 6 9	0 1



Power Supply

On/Off	Power Supply integrated controls
103227 - LPV 35W 24V	102345 - ELDOLED Linear 100S (DXM,DALI+PS)
100995 - LPV 60W 24V	104406 - Mono Dali 240W
104460 - LPV 150W 24V	103507 - OT250/220...240/ 24V DIM P (1-10V)

RDP60 Paver



Round LED marker light for outdoor and indoor use, floor and wall installation. ABS housing with flush sandblasted tempered glass lens for trim and trimless integration. Recessed low glare LED source. Drive over rated.



RDP60 Paver

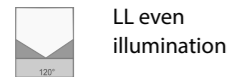
> Electrical

24 VDC fixture voltage
L - 2.9W - 52 lm
H - 4W - 136 lm

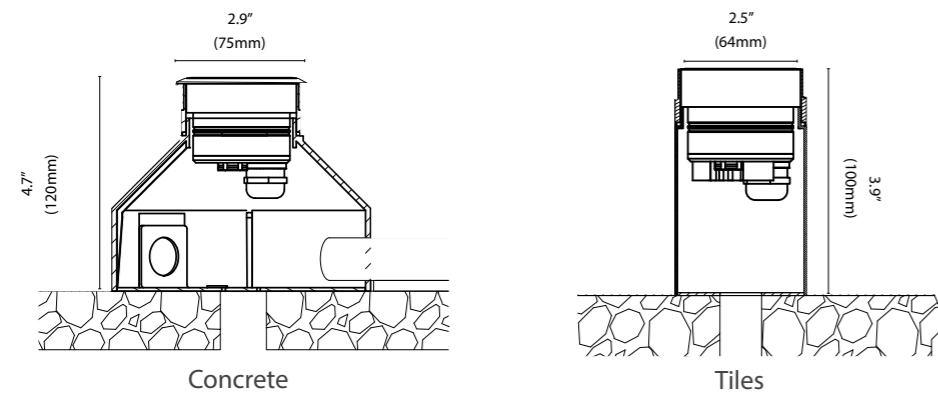
> Technical

IP67	Sandblasted
CLASS III	tempered glass
IK10	3/8" (10mm)
UL STD 1598	Stainless steel (304) ring
Drive over	Anodized aluminium body
rated 1500 KG	ABS installation
(3300lb)	housing

> Optics



> Installation



> Installation housing order codes

RD60C - Concrete
RD60T - Tiles

Ordering Information

Model	Installation	Power	Color Temp.	Optics	Voltage	Options
RDP60				LL	24	
RDP60	TM TS	L H	27 30	LL	24	C 3 6 9



Power Supply

On/Off	Power Supply integrated controls
103227 - LPV 35W 24V	102345 - ELDOLED Linear 100S (DXM,DALI+PS)
100995 - LPV 60W 24V	104406 - Mono Dali 240W
104460 - LPV 150W 24V	103507 - OT250/220...240/ 24V DIM P (1-10V)

RDW60 WallWash



Round LED wallwash
asymetric uplight with high
performance optics for
outdoor and indoor use,
floor and wall installation.
ABS housing with flush
clear tempered glass lens
and stainless steel ring for
trim and trimless integration
into grade. Recessed no glare
led source with
AGS - ANTI GLARE SYSTEM



RDW60 WallWash

> Electrical

24 VDC fixture voltage
H - 6W - 109 lm

> Technical

IP67	Clear tempered glass
CLASS III	3/8" (10mm)
IK10	Stainless steel (304) ring
UL STD 1598	Anodized aluminium body
Drive over	ABS installation
rated 1500 kg	housing
(3300lb)	

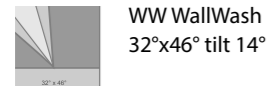
> Color

27 - 2700K
30 - 3000K
2 Step MacAdam
CRI: > 85

> Cable

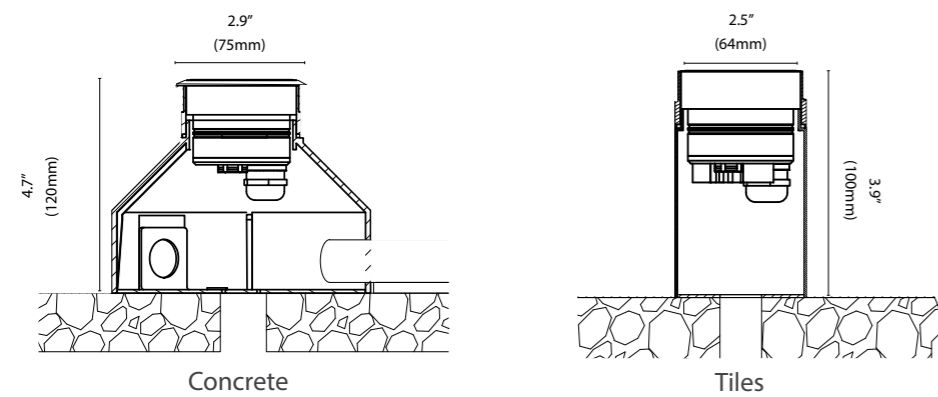
C* - standard 0.3m
3 - 3m
6 - 6m
9 - 9m

> Optics



WW WallWash
32°x46° tilt 14°

> Installation



> Installation housing order codes

RD60C - Concrete
RD60T - Tiles

Ordering Information

Model	Installation	Power	Color Temp.	Optics	Voltage	Options
RDW60	TM TS	H	27 30	WW	24	C 3 6 9



Power Supply

On/Off	Power Supply integrated controls
103227 - LPV 35W 24V	102345 - ELDOLED Linear 100S (DXM,DALI+PS)
100995 - LPV 60W 24V	104406 - Mono Dali 240W
104460 - LPV 150W 24V	103507 - OT250/220...240/ 24V DIM P (1-10V)

RDT100 Tilt Adjustable



Round LED uplight with high performance optics for outdoor and indoor use, floor and wall installation. ABS housing with flush clear tempered glass lens and stainless steel for trim and trimless integration into grade. Recessed low glare led source with tilt adjustable mechanism.



RDT100 Tilt Adjustable 20°

> Electrical

24 VDC fixture voltage
H - 10W - 690 lm

> Technical

IP67
CLASS III
IK10
UL STD 1598
Drive over
rated 1500 kg
(3300lb)

Clear tempered
glass 5/8" (15mm)
Stainless steel (304) ring
Anodized aluminium body
ABS installation
housing

> Color

27 - 2700K
30 - 3000K
2 Step MacAdam
CRI: 85

> Cable

C* - standard 0.3m
3 - 3m
6 - 6m
9 - 9m

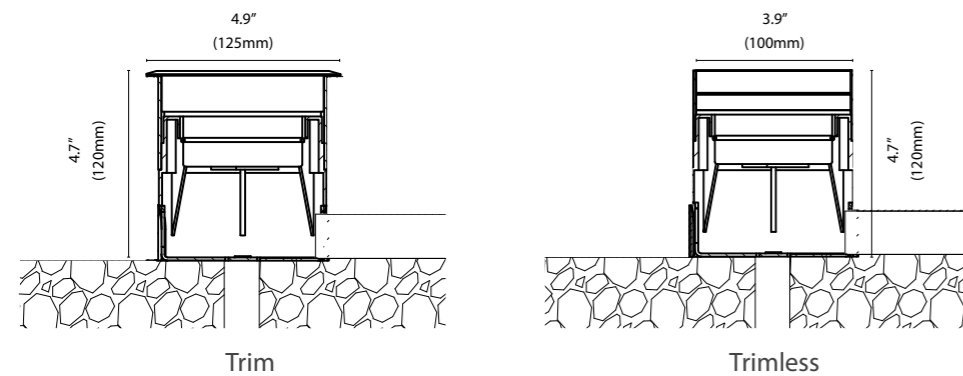
> Optics

 SP Spot 14°
 SX Spot 14°+ hex
  FL Flood 31°
 FX Flood 31°+ hex

> Glare options

Glare control
0 - no half moon
1 - with half moon

> Installation



> Installation housing order codes

RD100C - Trim
RD100T - Trimless

Ordering Information¹

Model	Installation	Power	Color Temp.	Optics	Voltage	Options	Glare control
RDT100		H		GR	24		
RDT100	TM TS	H	27 30	SP FL SX FX	24	C C3 C6 C9	0 1



Power Supply

On/Off	Power Supply integrated controls
103227 - LPV 35W 24V	102345 - ELDOLED Linear 100S (DXM,DALI+PS)
100995 - LPV 60W 24V	104406 - Mono Dali 240W
104460 - LPV 150W 24V	103507 - OT250/220...240/ 24V DIM P (1-10V)

RDD100 Deco



Round LED uplight with high performance optics for outdoor and indoor use, floor and wall installation. ABS housing with flush clear tempered glass lens and stainless steel ring for trim and trimless integration. Recessed low glare LED source with AGS - Anti Glare System Drive over rated.



RDD100 Deco

> Electrical

24 VDC fixture voltage
H - 10W - 820 lm

> Technical

IP67
CLASS III
IK10
UL STD 1598
Drive over
rated 1500 KG
(3300lb)

Clear tempered
glass 5/8" (15mm)
Stainless steel (304) ring
Anodized aluminium body
ABS installation
housing

> Color

27 - 2700K
30 - 3000K
2 Step MacAdam
CRI: > 85

> Cable

C* - standard 0.3m
3 - 3m
6 - 6m
9 - 9m

> Optics



SP Spot 17°
SX Spot 17°+ hex



FL Flood 31°
FX Flood 31°+ hex

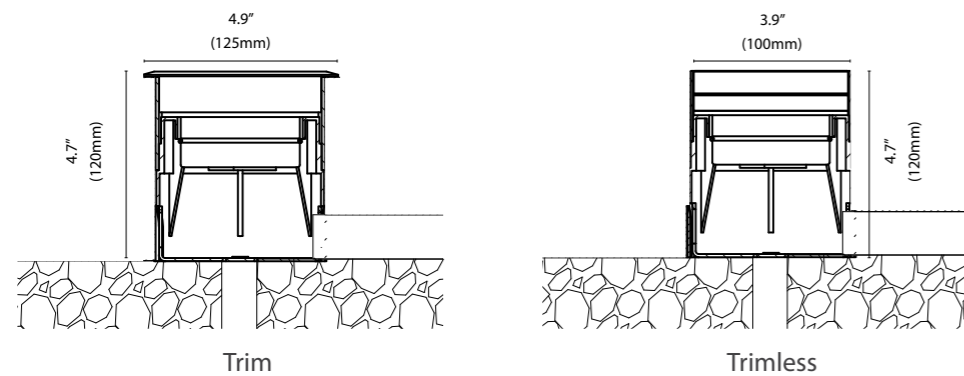


GR Graze 17°x36°
GX Graze 17°x36°+ hex

> Glare options

Glare control
0 - no half moon
1 - with half moon

> Installation



> Installation housing order codes

RD100C - Trim
RD100T - Trimless

Ordering Information							
Model	Installation	Power	Color Temp.	Optics	Voltage	Options	Glare control
RDD100		H			24		
RDD100	TM TS	H	27 30	SP FL GR SX FX GX	24	C 3 6 9	0 1



Power Supply

On/Off 103227 - LPV 35W 24V 100995 - LPV 60W 24V 104460 - LPV 150W 24V	Power Supply integrated controls 102345 - ELDOLED Linear 100S (DXM,DALI+PS) 104406 - Mono Dali 240W 103507 - OT250/220...240/ 24V DIM P (1-10V)
---	--

RDP100 Paver



Round LED marker
light for outdoor and
indoor use.
ABS housing with
trim and trimless
satin tempered glass
trim for trimless
integration into floor
surface.
Drive over rated.



RDP100 Paver

> Electrical

24 VDC fixture voltage
L - 2.9W - 65 lm
H - 4.8W - RGBW

> Technical

IP67	Sandblasted
CLASS III	tempered glass
IK10	5/8" (15mm)
UL STD 1598	Stainless steel (304) ring
Drive over	Anodized aluminium body
rated 1500 kg	ABS installation
(3300lb)	housing

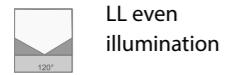
> Color

27 - 2700K
30 - 3000K
RGBW - W3000K
2 Step MacAdam
CRI: > 85

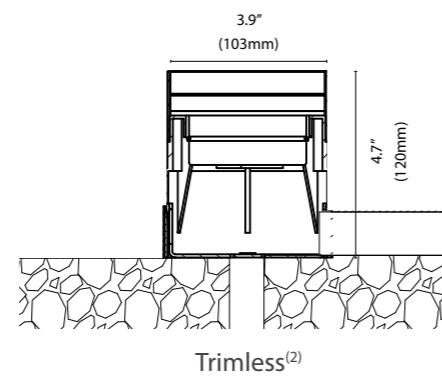
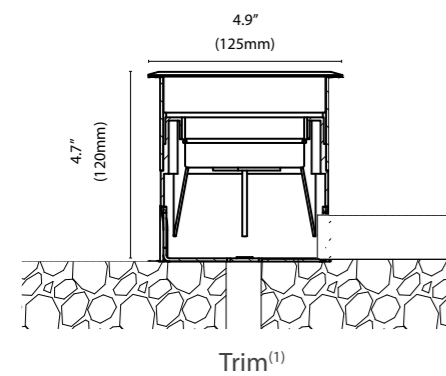
> Cable

C* - standard 0.3m
3 - 3m
6 - 6m
9 - 9m

> Optics



> Installation



> Installation housing order codes

RD100C - Trim
RD100T - Trimless

Ordering Information						
RDP100		24				
Model	Installation	Power ⁽³⁾	Color Temp.	Optics ⁽⁴⁾	Voltage	Options
RDP100	TM	L	27	LL	24	C
	TS		30			3
		H	RGBW			6
						9



Power Supply

On/Off	Power Supply integrated controls
103227 - LPV 35W 24V	102345 - ELDOLED Linear 100S (DXM,DALI+PS)
100995 - LPV 60W 24V	104406 - Mono Dali 240W
104460 - LPV 150W 24V	103507 - OT250/220...240/ 24V DIM P (1-10V)

RDW100 WallWash



Round LED wallwash
uplight with high
performance optics for
outdoor and indoor use.
ABS housing with flush
clear tempered glass
lens for trim and trimless
integration into floor
surface.
Drive over rated.



RDW100 WallWash

> Electrical

24 VDC fixture voltage
H - 8W - 230 lm

> Technical

IP67
CLASS III
IK10
UL STD 1598
Drive over
rated 1500 kg
(3300lb)

Clear tempered
glass 5/8" (15mm)
Stainless steel (304) ring
Anodized aluminium body
ABS installation
housing


> Color

27 - 2700K
30 - 3000K
2 Step MacAdam
CRI: > 85

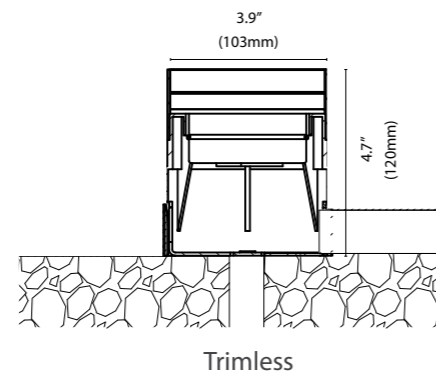
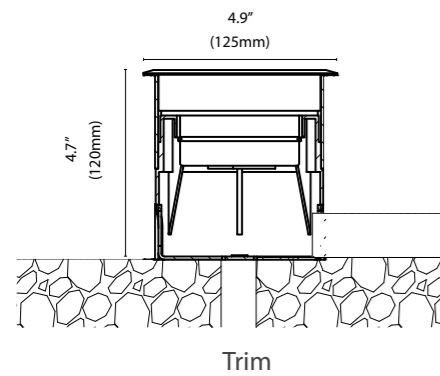
> Cable

C* - standard 0.3m
3 - 3m
6 - 6m
9 - 9m

> Optics

 WW WallWash
32°x47°
tilt 13°

> Installation



> Installation housing order codes

RD100C - Trim
RD100T - Trimless

Ordering Information

RDW100		24				
Model	Installation	Power	Color Temp.	Optics	Voltage	Options
RDW100	TM TS	H	27 30	WW	24	C 3 6 9



Power Supply

On/Off	Power Supply integrated controls
103227 - LPV 35W 24V	102345 - ELDOLED Linear 100S (DXM,DALI+PS)
100995 - LPV 60W 24V	104406 - Mono Dali 240W
104460 - LPV 150W 24V	103507 - OT250/220...240/ 24V DIM P (1-10V)

RD140 Deco



Round LED high power uplight with integrated gear and high performance optics. Deeply regressed led source for reduce glare effect. Body in SS316L for exterior marine application.

RD140 Deco

> Electrical

24 VDC fixture voltage
 230 V fixture voltage (on/off)
 230D - 230V fixture voltage / Dali
 230V - 230V fixture voltage /1-10V
 L - 15W
 1300 lm (Shallow beam - S, 35mm) / 750lm (Deep beam - D, 65mm)

> Technical

IP67
 IK10
 UL STD 1598
 Drive over
 rated 1500 kg
 (3300lb)
 Clear tempered
 glass 5/8" (15mm)
 Stainless steel ring and
 body SS316
 Power supply integrated
 ABS installation
 housing

> Color

27 - 2700K
 30 - 3000K
 TW - 1800K-4000K
 M - RGBW (3000K)
 2 Step MacAdam
 CRI: > 85

> Cable

C* - standard 0.3m
 3 - 3m
 6 - 6m
 9 - 9m

> Optics



SP Spot 17°
 SX Spot 17°+ hex



FL Flood 30°
 FX Flood 30°+ hex



W Wide 50°
 WX Wide 50°+ hex

> Glare options

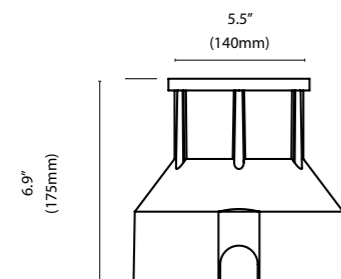
Beam Depth

S - shallow beam, optics at
 35mm from glass
 D - deep beam, optics at 65mm
 from glass

Glare control

0 - no half moon
 1 - with half moon

> Installation



Concrete

> Installation housing order codes

RD140C - Concrete

Ordering Information

Model	Installation	Power	Color Temp.	Optics	Voltage	Options	Beam Depth	Glare control
RD140	TM	H	27 30 TW M	SP FL W SX FX WX	24 230 230D 230V	C* 3 6 9	S D	0 1



Power Supply

On/Off

103227 - LPV 35W 24V
 100995 - LPV 60W 24V
 104460 - LPV 150W 24V

Power Supply integrated controls

102345 - ELDOLED Linear 100S (DXM,DALI+PS)
 104406 - Mono Dali 240W
 103507 - OT250/220...240/ 24V DIM P (1-10V)

FILIX

RD200 Deco



Round LED high power uplight with integrated gear and high performance optics. Deeply regressed led source for reduce glare effect. Body in SS316L for exterior marine application.





RD200 Deco

> Electrical

24 VDC fixture voltage
 230 V fixture voltage (on/off)
 230D - 230V fixture voltage / Dali
 230V - 230V fixture voltage /1-10V
 L - 24W
 2200 lm (Shallow beam - S, 45mm) / 1100lm (Deep beam - D, 75mm)

> Technical

IP67
 IK10
 UL STD 1598
 Drive over
 rated 1500 kg
 (3300lb)
 Clear tempered
 glass 5/8" (15mm)
 Stainless steel ring and
 body SS316
 Power supply integrated
 ABS installation
 housing

> Color

27 - 2700K
 30 - 3000K
 TW - 1800K-4000K
 M - RGBW (3000K)
 2 Step MacAdam
 CRI: > 85

> Cable

C* - standard 0.3m
 3 - 3m
 6 - 6m
 9 - 9m

> Optics



SP Spot 17°
 SX Spot 17°+ hex



FL Flood 30°
 FX Flood 30°+ hex



W Wide 50°
 WX Wide 50°+ hex

> Glare options

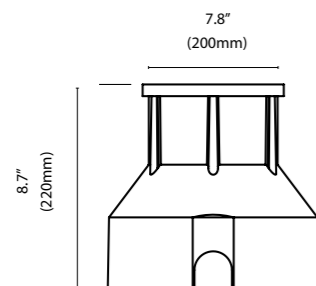
Beam Depth

S - shallow beam, optics at
 45mm from glass
 D - deep beam, optics at 75mm
 from glass

Glare control

0 - no half moon
 1 - with half moon

> Installation



Concrete

> Installation housing order codes

RD200C - Concrete

Ordering Information								
RD200					24			
Model	Installation	Power	Color Temp.	Optics	Voltage	Options	Beam Depth	Glare control
RD200	TM	H	27	SP	24	C*	S	0
			30	FL	230	3	D	1
			TW	W	230D	6		
			M	SX	230V	9		
				FX				
				WX				



Power Supply

On/Off

103227 - LPV 35W 24V
 100995 - LPV 60W 24V
 104460 - LPV 150W 24V

Power Supply integrated controls

102345 - ELDOLED Linear 100S (DXM,DALI+PS)
 104406 - Mono Dali 240W
 103507 - OT250/220...240/ 24V DIM P (1-10V)

SQD100 Deco



Square LED up light with high performance optics for outdoor and indoor use. Stainless steel housing with flush clear tempered glass lens for trim and trimless integration into floor surface. Drive over rated.



SQD100 Deco

> Electrical

24 VDC fixture voltage
H - 6W - 480 lm

> Technical

IP67
CLASS III
IK010UL STD
1598
Drive over
rated 1500 kg
(3000lb)

Clear tempered
glass 5/8" (15mm)
Stainless steel (304) ring
Anodized aluminium body
ABS installation
housing

> Color

27 - 2700K
30 - 3000K
2 Step MacAdam
CRI: > 85

> Cable

C* - standard 0.3m
3 - 3m
6 - 6m
9 - 9m

> Optics



SP Spot 17°
SX Spot 17°+ hex

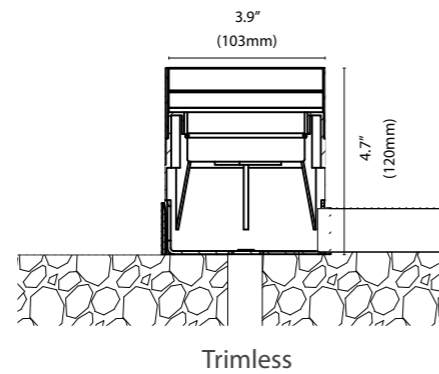
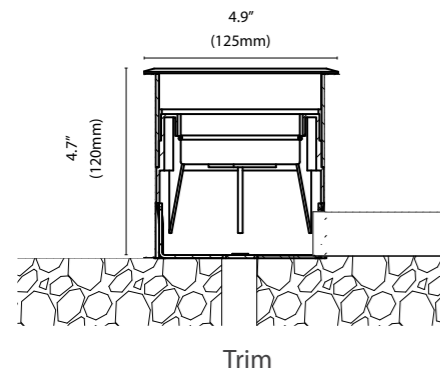


FL Flood 31°
FX Flood 31°+ hex



GR Graze 17°x36°
GR Graze 17x36°+ hex

> Installation



> Installation housing order codes

SQ100C - Trim
SQ100T - Trimless

Ordering Information						
SQD100		H			24	
Model	Installation	Power	Color Temp.	Optics ⁽⁴⁾	Voltage	Options
SQD100	TM TS	H	27 30	SP FL GR SX FX GX	24	C 3 6 9



Power Supply

On/Off	Power Supply integrated controls
103227 - LPV 35W 24V	102345 - ELDOLED Linear 100S (DXM,DALI+PS)
100995 - LPV 60W 24V	104406 - Mono Dali 240W
104460 - LPV 150W 24V	103507 - OT250/220...240/ 24V DIM P (1-10V)

SQT100 Deco



Square LED up light with high performance optics for outdoor and indoor use. Stainless steel housing with flush clear tempered glass lens for trim and trimless integration into floor surface. Drive over rated.



SQT100 Deco

> Electrical

24 VDC fixture voltage
H -10W - 690 lm

> Technical

IP67
CLASS III
IK010UL STD
1598
Drive over
rated 1500 kg
(3000lb)

Tilt Adjustable 20°
Clear tempered
glass 5/8" (15mm)
Stainless steel (304) ring
Anodized aluminium body
ABS installation
housing

> Color

27 - 2700K
30 - 3000K
2 Step MacAdam
CRI: > 85

> Cable

C* - standard 0.3m
3 - 3m
6 - 6m
9 - 9m

> Optics

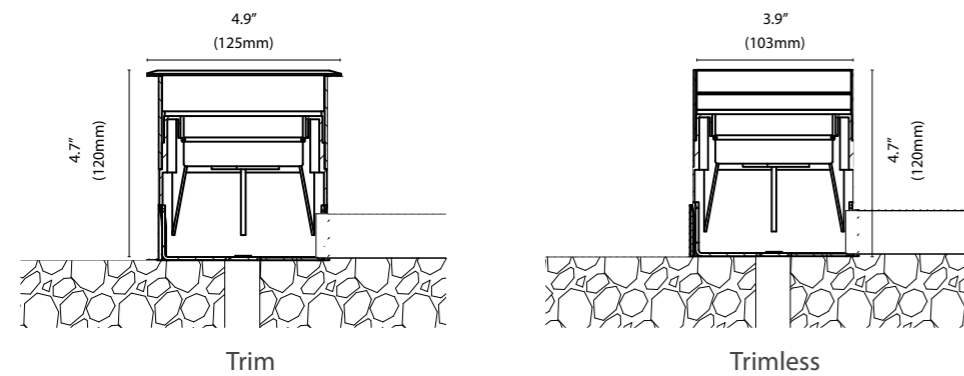


SP Spot 17°
SX Spot 17°+ hex



FL Flood 31°
FX Flood 31°+ hex

> Installation



> Installation housing order codes

SQ100C - Trim
SQ100T - Trmless

Ordering Information						
Model	Installation	Power	Color Temp.	Optics ⁽⁴⁾	Voltage	Options
SQT100		H			24	
SQT100	TM TS	H	27 30	SP FL SPX FLX	24	C 3 6 9



Power Supply

On/Off	Power Supply integrated controls
103227 - LPV 35W 24V	102345 - ELDOLED Linear 100S (DXM,DALI+PS)
100995 - LPV 60W 24V	104406 - Mono Dali 240W
104460 - LPV 150W 24V	103507 - OT250/220...240/ 24V DIM P (1-10V)

SQP100 Paver



Square LED marker light
for outdoor and indoor use.
Stainless steel housing
with flush satin tempered
glass lens for trim and
trimless integration into
floor surface.
Drive over rated.



SQP100 Paver

> Electrical

24 VDC fixture voltage
L - 2.9W - 65 lm
H - 4.8W - RGBW

> Technical

IP67	Sandblasted
CLASS III	tempered glass
IK10	5/8" (15mm)
UL STD 1598	Stainless steel (304) ring
Drive over	Anodized aluminium body
rated 1500 kg	ABS installation
(3300lb)	housing

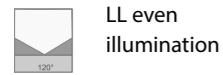
> Color

27 - 2700K
30 - 3000K
RGBW
2 Step MacAdam
CRI: > 85

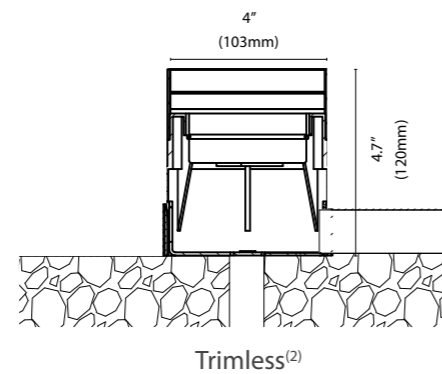
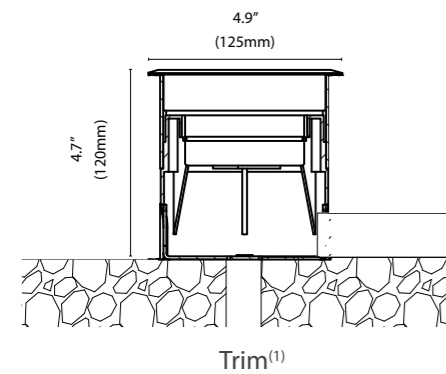
> Cable

C* - standard 0.3m
3 - 3m
6 - 6m
9 - 9m

> Optics



> Installation



> Installation housing order codes

SQ100C - Trim
SQ100T - Trimless

Ordering Information						
Model	Installation	Power ^d	Color Temp.	Optics	Voltage	Options
SQP100					24	
SQP100	TM	L	27	LL	24	C
	TS		30			3
		H	RGBW			6
						9



Power Supply

On/Off	Power Supply integrated controls
103227 - LPV 35W 24V	102345 - ELDOLED Linear 100S (DXM,DALI+PS)
100995 - LPV 60W 24V	104406 - Mono Dali 240W
104460 - LPV 150W 24V	103507 - OT250/220...240/ 24V DIM P (1-10V)

SQW100 WallWash



Square LED wallwash
uplight with high
performance optics for
outdoor and indoor use.
ABS housing with flush
clear tempered glass
lens for trim and trimless
integration into floor
surface.
Drive over rated.



SQW100 WallWash

> Electrical


24 VDC fixture voltage
H - 6W - 250 lm

> Technical

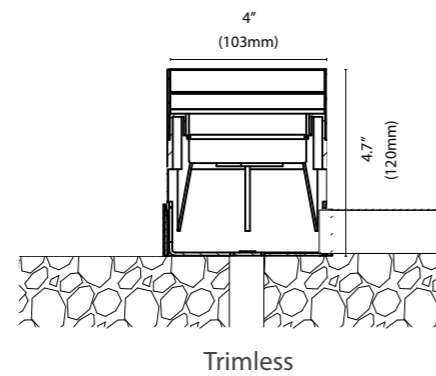
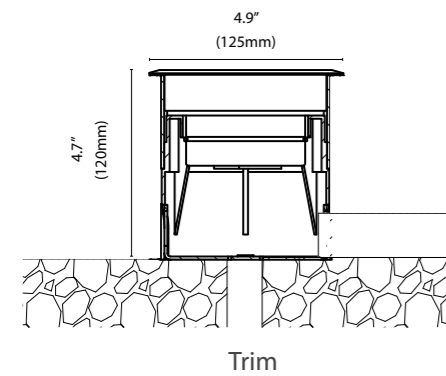
IP67
CLASS III
IK10
UL STD 1598
Drive over
rated 1500 kg
(3300lb)

Clear tempered
glass 5/8" (15mm)
Stainless steel (304) ring
Anodized aluminium body
ABS installation
housing

> Optics

 WW WallWash
32°x47° tilt 14°

> Installation



> Color

27 - 2700K
30 - 3000K
2 Step MacAdam
CRI: > 85

> Cable

C* - standard 0.3m
3 - 3m
6 - 6m
9 - 9m

> Installation housing order codes

SQ100C - Trim
SQ100T - Trimless

Ordering Information

Model	Installation	Power ¹	Color Temp.	Optics	Voltage	Options
SQW100	TM TS	H	27 30	WW	24	C 3 6 9



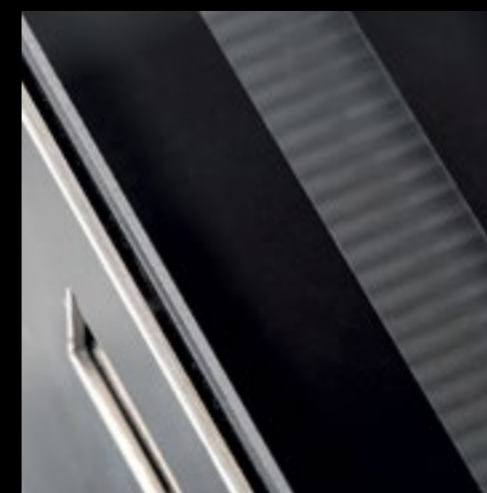
Power Supply

On/Off	Power Supply integrated controls
103227 - LPV 35W 24V	102345 - ELDOLED Linear 100S (DXM,DALI+PS)
100995 - LPV 60W 24V	104406 - Mono Dali 240W
104460 - LPV 150W 24V	103507 - OT250/220...240/ 24V DIM P (1-10V)

Zero G



Linear Inground wall grazer. Slim and elegant in size 45mm width. Incorporates linear molded optics to maximize output as well as to allow linear illumination. Linear molded optics reflect a very clean light taking the dots visibility away allowing the light to be linear. At the same time the optic removes single chip discoloration, setting the light to be uniform in color and output. Above the optics, a special glare control tool is implemented to control the glare completely on both x and y-axis.



Zero G

> Electrical

24 VDC fixture voltage
H - 39W/m - 720 lm

> Technical

IP67
CLASS III
IK10
US STD 1598
Drive over rated
1500 kg (3300lb)
Zero Glare

IN/OUT cable feed
Clear tempered glass
3/8" (10mm)
Stainless steel 304
construction

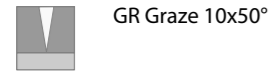
> Color

27 - 2700K
30 - 3000K
TW - 2200-4000K
2 Step MacAdam
CRI: 85

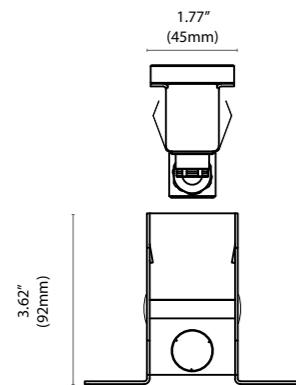
> Cable

C* - standard 0.3m
In/out

> Optics



> Installation



> Installation Housing codes

LIN174 - 174mm
LIN324 - 324mm
LIN624 - 624mm
LIN1224 - 1224mm

Ordering Information¹

ZG	Lenght	Power	Color Temp.	Optics	Voltage	Options
ZG	174 324 624 1224	H	27 30 TW	GR	24	C



Power Supply

On/Off	Power Supply integrated controls
103227 - LPV 35W 24V	102345 - ELDOLED Linear 100S (DXM,DALI+PS)
100995 - LPV 60W 24V	104406 - Mono Dali 240W
104460 - LPV 150W 24V	103507 - OT250/220...240/ 24V DIM P (1-10V)

Eter



Linear Wallwash luminaire designed for recessed installation for exterior or interior applications. High output, vertical illumination while eliminating glare and maintaining an even line of light. Drive over rated.



Eter

> Electrical

24 VDC fixture voltage
H - 23W/m - 920 lm

> Technical

IP67	Clear tempered glass
CLASS III	3/8" (10mm) wallwash
IK10	effect, continous run of
US STD 1598	standard lengths
Drive over rated	Stainless steel 304
1500 kg (3300lb)	construction

> Color

27 - 2700K
30 - 3000K
2 Step MacAdam
CRI: > 85

> Cable

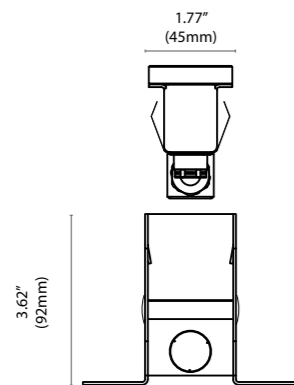
C* - standard 0.3m
3 - 3m
6 - 6m
9 - 9m

> Optics



WW Wall Wash 28° tilt

> Installation



> Installation housing order codes

LIN174 - 174mm
LIN324 - 324mm
LIN624 - 624mm
LIN1224 - 1224mm

Ordering Information						
ET	24					
Model	Length	Power	Color Temp.	Optics	Voltage	Options
ET	174	H	27	WW	24	C
	324		30			3
	624					6
	1224					9



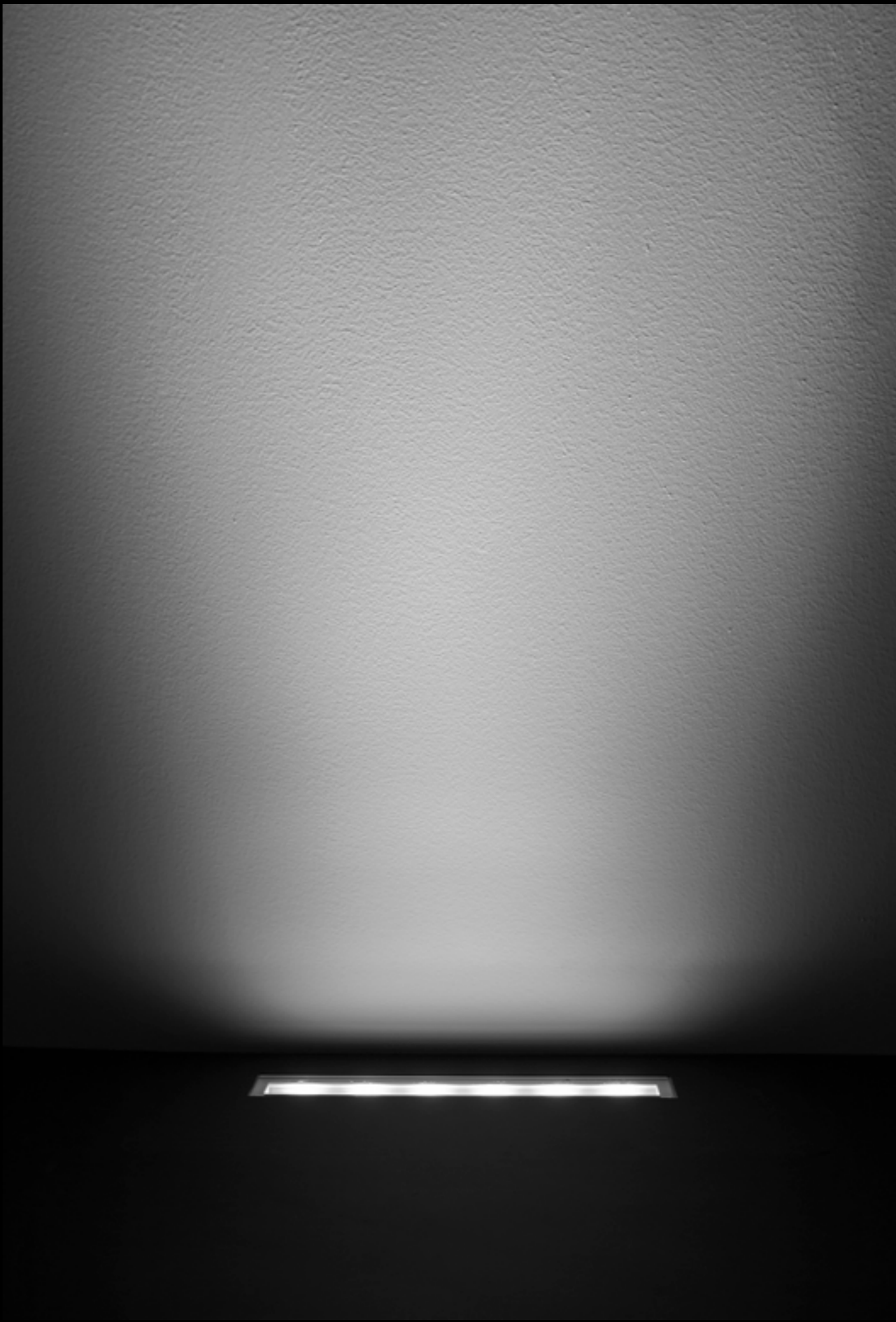
Power Supply

On/Off	Power Supply integrated controls
103227 - LPV 35W 24V	102345 - ELDOLED Linear 100S (DXM,DALI+PS)
100995 - LPV 60W 24V	104406 - Mono Dali 240W
104460 - LPV 150W 24V	103507 - OT250/220...240/ 24V DIM P (1-10V)

StepUp Deco



Linear light with high performance optics for outdoor and indoor use. Stainless steel housing with flush tempered glass lens for trimless integration into floor surface. Drive over rated.



StepUp Deco

> Electrical

24 VDC fixture voltage
 H - 39W/m - 3160 lm
 H - 39W/m - RGBW -multichip

> Technical

IP67
 CLASS III
 IK10
 US STD 1598
 Drive over rated
 1500 kg
 (3000lb)

Clear tempered glass
 3/8" (10mm)
 Stainless steel 304
 construction

> Color


27 - 2700K
 30 - 3000K
 RGBW
 2 Step MacAdam
 CRI: > 85


> Cable

C* - standard 0.3m
 3 - 3m
 6 - 6m
 9 - 9m

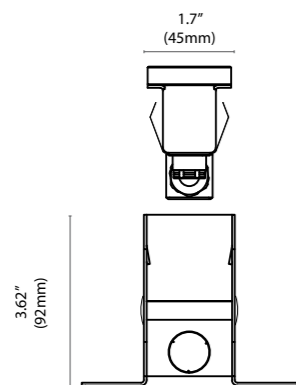
> Optics

 SP Spot 13°
 SX Spot 13° + lin.louvre

 FL Flood 31°
 FX Flood 31° + lin.louvre

 GR Graze 14°x 40°
 GX Graze 14°x 40°+ lin.

> Installation



> Installation housing order codes

LIN174 - 174mm
 LIN324 - 324mm
 LIN624 - 624mm
 LIN1224 - 1224mm

Ordering Information

Model	Length	Power ²	Color Temp.	Optics	Voltage	Options
SD	324 624 1224	H	27 30 RGBW	SP FL GR SX FX GX	24	C 3 6 9



Power Supply

On/Off	Power Supply integrated controls
103227 - LPV 35W 24V	102345 - ELDOLED Linear 100S (DXM,DALI+PS)
100995 - LPV 60W 24V	104406 - Mono Dali 240W
104460 - LPV 150W 24V	103507 - OT250/220...240/ 24V DIM P (1-10V)

Slim



Continuous linear line of light for outdoor and indoor use.
Stainless steel housing with flush glass lens for trimless integration into floor.
Drive over rated.



StepUp Slim

> Electrical

24 VDC fixture voltage
 L - 10W/m - 150 lm
 H - 23W/m - 300 lm
 H - 32W/m - RGBW (W-3000K)

> Technical

IP67
 CLASS III
 IK10
 UL STD 1598
 Drive over rated
 3000kg (6600lb)
 Corner element
 Clear glass 2x5/8" (15mm) thick, with inner opal film to create even line of light
 Stainless steel 304 construction
 IN/OUT connector

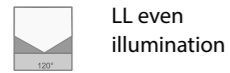
> Color

27 - 2700K
 30 - 3000K
 40 - 4000K
 RGBW
 2 Step MacAdam
 CRI: > 85
 RGBW (W-3000K)

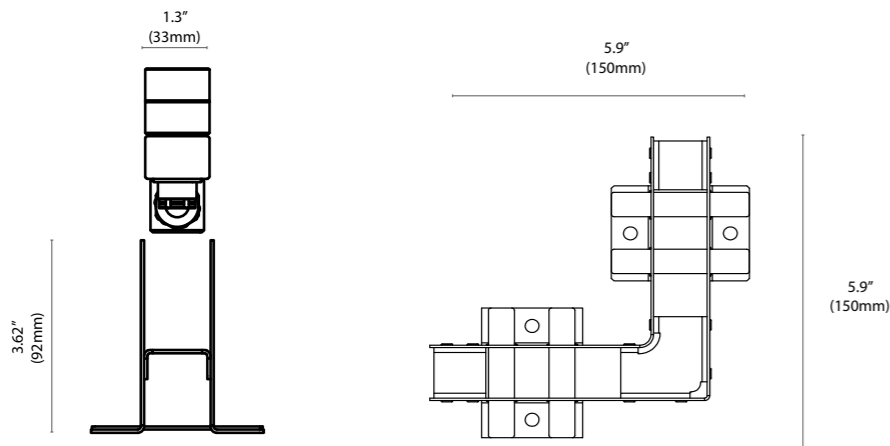
> Cable

C* - standard 0.3m
 3 - 3m
 6 - 6m
 9 - 9m

> Optics



> Installation



> Installation housing order codes

SL315 - 401mm
 SL317 - 1001mm
 SLCO - 151mm x 151mm

Ordering Information

Model	Length	Power	Color Temp.	Optics	Voltage	Options
SL	400	L	27	LL	24	C
	1000		30			3
	C150		40			6
		H	27			9
			30			
			40			
			RGBW			



Power Supply

On/Off	Power Supply integrated controls
103227 - LPV 35W 24V	102345 - ELDOLED Linear 100S (DXM,DALI+PS)
100995 - LPV 60W 24V	104406 - Mono Dali 240W
104460 - LPV 150W 24V	103507 - OT250/220...240/ 24V DIM P (1-10V)

Step Up Wide



Continuous linear line of light for outdoor and indoor use. Stainless steel housing with flush glass lens for trimless integration into floor. Chasing light RGBW, IK69K Drive over rated.



StepUp Wide

> Electrical

24 VDC fixture voltage
 L - 10W/m - Amber, 2700K, 3000K, RGBW, RGBWA (W - 3000K) (900lm)
 H - 23W/m - Amber, 2700K, 3000K, RGBW, RGBWA (W - 3000K) (1700lm)

> Technical

IP69K
 CLASS III
 IK10
 UL STD 1598
 Drive over rated
 5000kg (1100lb)
 Tuneable white
 Clear tempered glass 10mm"
 Even line of light
 Chasing light option 100mm
 Stainless steel 304 construction
 IN/OUT connector

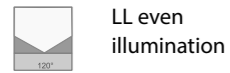
> Color

A - Amber
 27 - 2700K
 30 - 3000K
 RGBW (W-3000K)
 RGBWA (W-3000K)
 2 Step MacAdam
 CRI: > 85

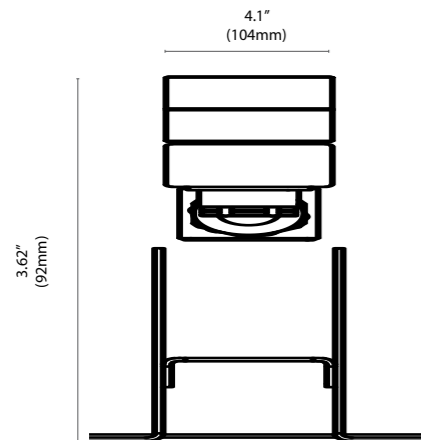
> Cable

C* - standard 1m
 3 - 3m
 6 - 6m
 9 - 9m

> Optics



> Installation



> Installation housing order codes

SLW - 401mm
 SLW - 1001mm

Ordering Information

SL				LL	24	
Model	Length	Power	Color Temp.	Optics	Voltage	Options
SLW	400	L	A	LL	24	C
	1000		27		230	3
			30 RGBW RGBWA		110	6 9
		H	A			
			27			
			30			
			RGBW			
			RGBWA			



Power Supply

On/Off	Power Supply integrated controls
103227 - LPV 35W 24V	102345 - ELDOLED Linear 100S (DXM,DALI+PS)
100995 - LPV 60W 24V	104406 - Mono Dali 240W
104460 - LPV 150W 24V	103507 - OT250/220...240/ 24V DIM P (1-10V)

Snake



Linear curvable ingrade element for continious run and flexible radius adjustment. Body in stainless steel with glass finish for trimless integration. Walk over rated.

Snake

> Electrical

24VDC fixture voltage
 H - 2.3W - 80lm
 H - 2.3W RGBW (W - 3000K)

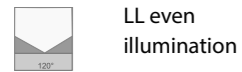
> Technical

IP67	Sandblasted
CLASS III	tempered glass
IK10	0.62" (16mm) thick
UL STD 1598	Stainless steel 304
Walk over rated	construction
1500 kg	ABS housing
(3300lb)	

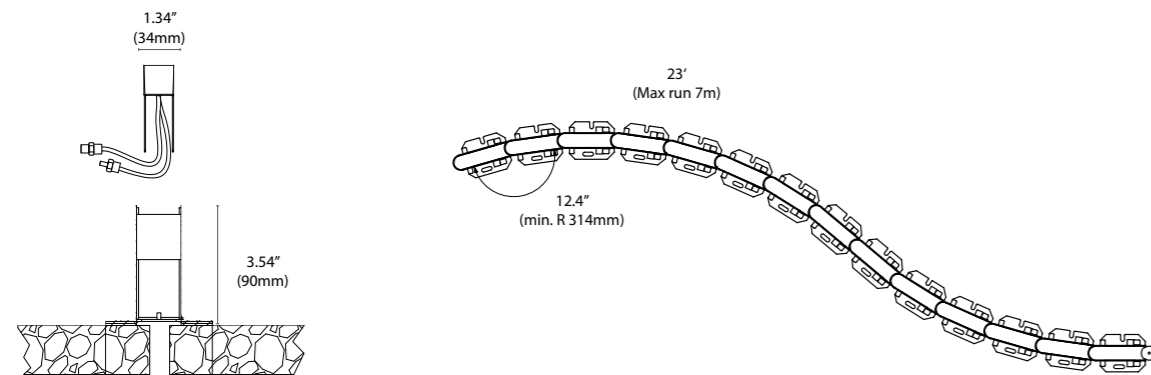
> Color

27 - 2700K
 30 - 3000K
 40 - 4000K
 RGBW
 2 Step MacAdam
 CRI: > 85

> Optics



> Installation



> Installation housing order codes

SN355

Ordering Information								
Model	Length	Power	Color Temp.	Optics ⁽⁴⁾	Voltage	Options		
						Jumper Cable	Lead Cable	
SN	100	H	27 30 40 RGBW	LL	24	102796 L=1m	104068 L= 1m	



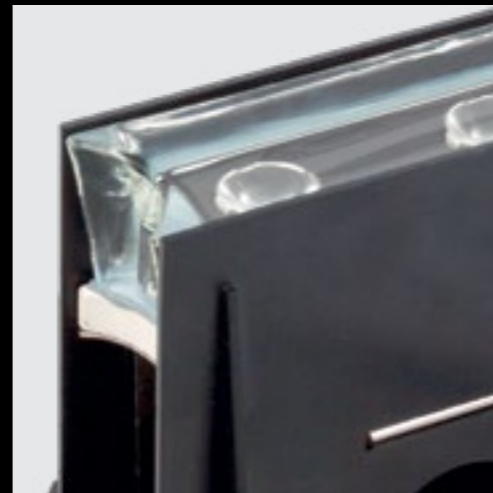
Power Supply

On/Off	Power Supply integrated controls
103227 - LPV 35W 24V	102345 - ELDOLED Linear 100S (DXM,DALI+PS)
100995 - LPV 60W 24V	104406 - Mono Dali 240W
104460 - LPV 150W 24V	103507 - OT250/220...240/ 24V DIM P (1-10V)

Snake Deco



Linear curvable ingrade element for continious run and flexible radius adjustment. Body in stainless steel with transparent glass finish for uplight and wall wash effect. Walk over rated.



Snake Deco

> Electrical

24VDC fixture voltage
H - 2.3W - 350 lm

> Technical

IP67
CLASS III
IK10
UL STD 1598
Walk over rated
1500kg
(3300lb)

Clear tempered glass
0.31" (8mm) thick
Stainless steel 304
construction
ABS housing

> Color

27 - 2700K
30 - 3000K
40 - 4000K
2 Step MacAdam
CRI: > 85

> Optics

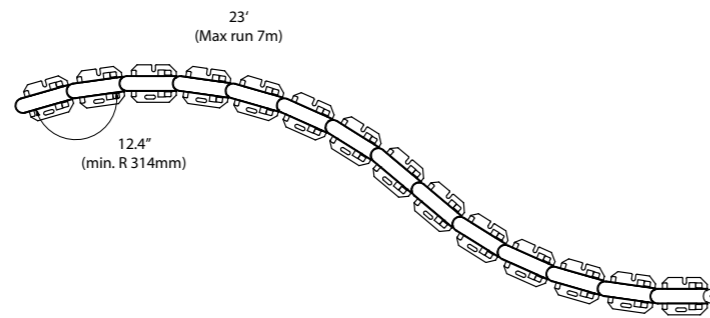
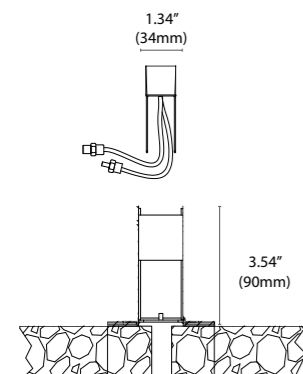


SP Spot 17°



FL Flood 31°

> Installation



> Installation housing order codes

SN335

Ordering Information

Ordering Information							
SND							
24							
Model	Length	Power	Color Temp.	Optics	Voltage	Options	
						Jumper Cable	Lead Cable
SND	100	H	27 30 40	SP FL	24	102796 L=1m	104068 L= 1m



Power Supply

On/Off	Power Supply integrated controls
103227 - LPV 35W 24V	102345 - ELDOLED Linear 100S (DXM,DALI+PS)
100995 - LPV 60W 24V	104406 - Mono Dali 240W
104460 - LPV 150W 24V	103507 - OT250/220...240/ 24V DIM P (1-10V)

Ion Switch



High quality bollard with double surface protection such as anodisation and powder coat. Two height options available with 5 light effects 90, 2x 90, 180, 270 and 360, degrees radial optics. Anchor allows solid, safe and anti-vandal installation. Through feed junction box and integrated controls allow easy connection and light control.

Ion Switch

> Electrical

110-240V
 23W - 865 Lm (360 deegres)
 D - Dali
 V - 0-10V


> Technical

IP66	Aluminum body
ULSTD1598	Powder coated
IK10	Stainless steel screws
Anchor	On site switch for light distribution
	On site head movement

> Color

27 - 2700K
 30 - 3000K
 40 - 4000K
 2 Step MacAdam
 CRI: 85

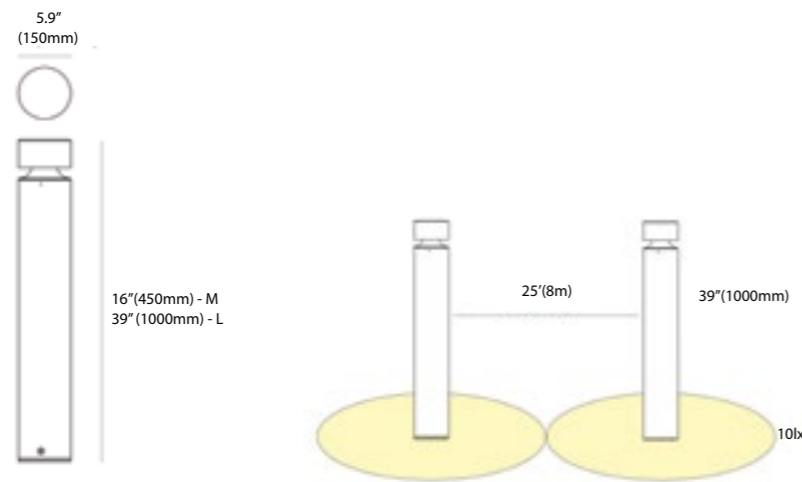
> Optics

 QM 0-360
 Degrees
 (switch port)
 4m Radius

> Paint

W - RAL 9003 Structure (white)
 AT - RAL 7016 Structure (grey anthracite)
 BK - RAL 9005 Structure (black)

> Dimensions & light effects



> Installation anchor order codes

201846 - Anchor

Ordering Information

Model	Height	Power	Color Temp.	Optics (Radial)	Paint	Options
IN	M L	L	27 30 40	QM	W AT BK	D V



Ion Matrix



Sensor controled high quality bollard with double surface protection such as anodisation and powder coat. Two height options available with 5 light effects 90, 2x 90, 180, 270, and 360, degrees radial optics. Anchor allows solid, safe and anti-vandal installation. Through feed junction box and integrated controls allow easy connection and light control. Sensor reading technology empowers sustainable and energy efficient lighting.

Ion Matrix

> Electrical

110-240V
 23W - 865 Lm (360 degrees)
 D - Dali
 V - 0-10V


> Technical

IP66
 ULSTD1598
 IK10
 Anchor
 PIR sensor reading 4m radius
 Aluminum body
 Powder coated
 Stainless steel screws

> Color

27 - 2700K
 30 - 3000K
 40 - 4000K
 2 Step MacAdam
 CRI: 85

> Optics

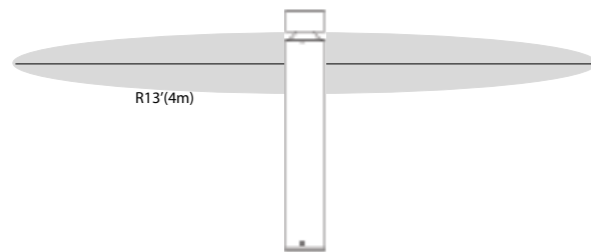
 QM 0-360 Degrees
 4m Radius

> Paint

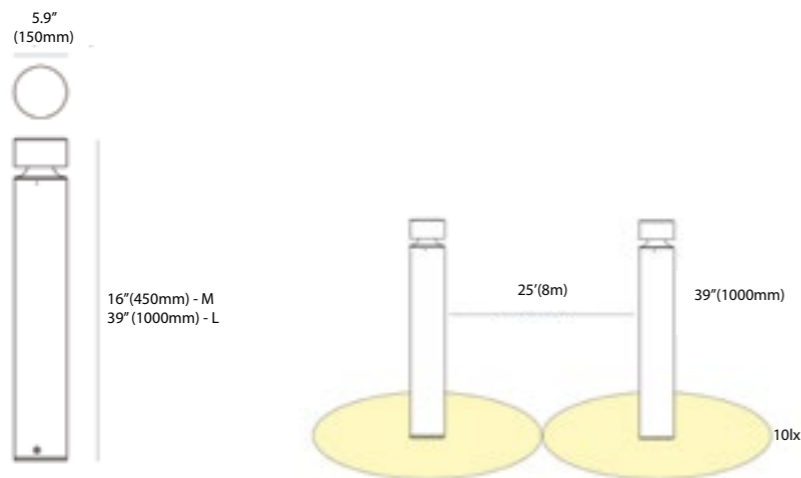
W - RAL 9003 Structure (white)
 AT - RAL 7016 Structure (grey anthracite)
 BK - RAL 9005 Structure (black)

> PIR Sensor reading (4m radius)

Auto adjust light output
 10% preset to 100%



> Dimensions & light effects



> Installation anchor order codes

201846 - Anchor

Ordering Information

INX

Model	Height	Power	Color Temp.	Optics (Radial)	Paint	Options
INX	M L	L	27 30 40	QM	W AT BK	D V



Hemera Hecto



Linear surface mounted solution with integrated high performance optics for outdoor use. Extruded aluminum anodized and powder coated housing for architectural landmarks.



Hemera Hecto

> Electrical

39W/M, 4300lm
 24V
 230V - 220-240VAC
 230X - 220-240VAC DMX
 230D - 220-240VAC DALI
 230D - 220-240VAC 0-10V
 DMX/RDM, DALI 0-10V, PWM
 Ethernet Via Supply box

> Technical

IP66
 Class I/II
 ULSTD1598
 IK10 /IEC/TR62696
 Aluminum anodized body,
 powder coated
 Adjustable multiposition-
 bracket 90 degrees
 Integrated controls
 Tempered glass surface


> Color

27 - 2700K
 30 - 3000K
 40 - 4000K
 RGBW (W 4000K)
 2 Step MacAdam
 CRI: 85

> Certification and Safety

EMC 220-277V, 50/60HZ
 ENEC22/SIQ - LVD & EMC
 SALT CHAMBER 500h @35 deg.
 PHOTOBIOLOGICAL TEST IEC/
 TR62778 @ 4000K
 VIBRATION RESISTANCE 3G (IEC
 60068-2-6 ANSI C 136-31:2010

> Optics

 NS - Narrow spot 8°x8°
 MS - Medium spot 15°x15°
 NF - Narrow flood 30°x30°
 MF - Medium flood 40°x40°
 W - Wide 60°x60°
 SY - Spot asymmetric 10°x20°
 NY - Narrow asymmetric 10°x60°
 MY - Medium asymmetric 10°x60°

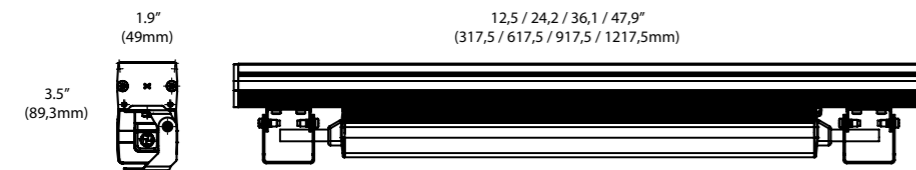
> Glare control

1 - External louvre
 2 - External Glare shield

> Paint

B - Black
 G - Grey RAL 9005

> Dimensions



> Cable additions

YZ1 - Jumper cable L=1,5m (5)
 XZ1 - Lead cable L=3m (9)

Ordering Information							
HM				24			
Model	Lenght	Power	Color Temp.	Optics	Voltage	Paint	Glare control
HK	320	H	27	NS	24	B G	1 2
	620		30	MS	230		
	920		40	NF	230X		
	1220		RGBW	MF	230D		
				W	230V		
				SY			
				NY			
				MY			



Hemera



Linear surface mount solution with integrated performance optics for outdoor and indoor use. Machined aluminum housing for improved heat dissipation.



Hemera

> Electrical

24VDC fixture voltage
 L - 10W/m - 1200 lm
 H - 23W/m - 2700 lm


> Technical

IP65
 Class III
 ULSTD1598
 IK07
 Aluminum body
 Glass top surface
 High performance silicone optics
 RAL9003
 IN-OUT IP67 connector (10m run)

> Color

27 - 2700K
 30 - 3000K
 40 - 4000K
 2 Step MacAdam
 CRI: 85

> Optics

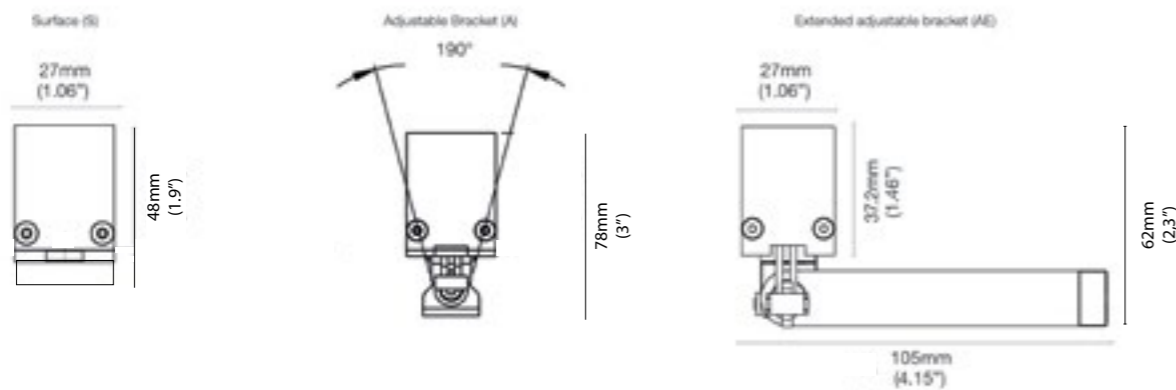
 GR 15x60 degrees

> Paint

W - RAL 9003 Structure (white) - standard
 AT - RAL 7016 Structure (grey anthracite)
 BK - RAL 9005 Structure (black)

> Installation

S - Surface
 A - Adjustable bracket
 EA - Extended adjustable bracket



> Cable additions

201741 - Jumper cable L=1m
 201734 - Lead cable L=1m
 202232 - Lead cable L=2m
 201987 - Lead cable L=5m

Ordering Information							
HM				24			
Model	Lenght	Power	Color Temp.	Optics	Voltage	Installation Options	Paint options
HM	170	L	27	SP	24	S A EA	W AT BK
	320	H	30				
	620		40				
	920						
	1070						
	1220						



Power Supply

On/Off	Power Supply integrated controls
103227 - LPV 35W 24V	102345 - ELDOLED Linear 100S (DXM,DALI+PS)
100995 - LPV 60W 24V	104406 - Mono Dali 240W
104460 - LPV 150W 24V	103507 - OT250/220...240/ 24V DIM P (1-10V)

FILIX
H2O



FILIX

H20

Arpool S Projector



Underwater LED projector with high performance optics with snoot option. Glass lens creates optical effect of narrow and wide beam. For private and public water features.



Arpool S Projector

> Electrical

12/24 VDC fixture voltage
 L - 3W - 250 lm - L power can be used also outside the water permanently
 H - 6W - 450 lm
 H - 6W - RGBW (W - 4000K)

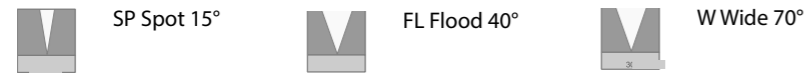
> Technical

IP68
 CLASS III
 UL STD 676
 CSA C22.2#89
 Installation depth up to 5m
 Pools and fountains
 Chlorine and saline environment
 Stainless steel 316L
 Cable 3m, 6m 9m, 20m

> Color

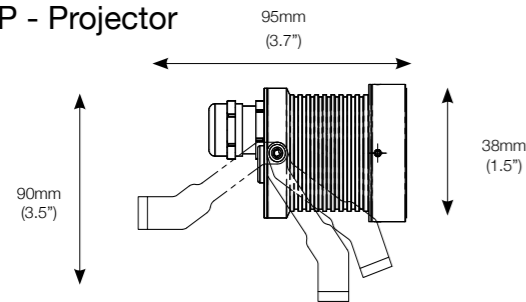
30 - 3000K
 40 - 4000K
 RGBW (W - 4000K)
 3 Step MacAdam
 CRI: > 85

> Optics

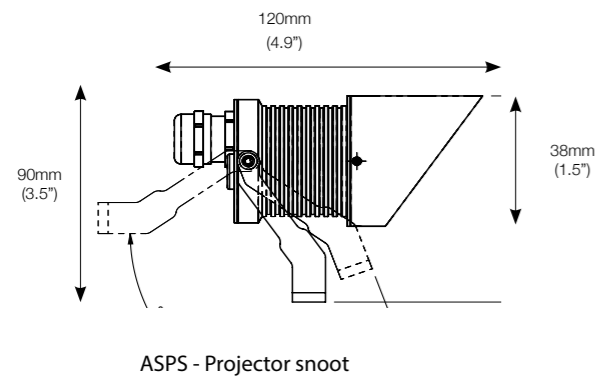


> Installation

P - Projector



PS - Projector snoot



> Installation housing order codes

ASPS - projector snoot

Ordering Information

Model	Power	Color Temp.	Optics	Voltage	Options
ASP	L	30 40	SP FL W	12 24	3 6 9 20
	H	30 40 RGBW			



Power Supply

<p>Power supply On/Off - 12V</p> <p>104463 - LPV 35 12V 101728 - LPV 60 12V 104582 - LPV 150 12V</p> <p>Power supply with integrated controls - 12V</p> <p>102345 - ELDOLED Linear Drive 100S (DXM,DALI+PS)</p> <p>Controls - 12V</p> <p>104472 - PWM 120-12 DALI 12V 104158 - PWM 60-12 1-10V 12V</p>	<p>Power supply On/Off - 24V</p> <p>103227 - LPV 35W 24V 100996 - LPV 60W 24V 104460 - LPV 150W 24V</p> <p>Power supply with integrated controls - 24V</p> <p>102345 - ELDOLED Linear Drive 100S (DXM,DALI+PS)</p> <p>Controls - 24V</p> <p>104406 - MONO DALI 240W 101047 - OTI DALI DIM 120W 1CH 103507 - OT250/220...240V/24V DIM (1/10V)</p>
--	---

FILIX

H2O

Arpool M Projector



Underwater LED projector with high performance optics with snoot option. Glass lens creates optical effect of narrow and wide beam. For private and public water features.



Arpool M Projector

> Electrical

12/24 VDC fixture voltage
 L - 9W - 600 lm
 H - 15W - 1000 lm
 H - 15W - RGBW (W - 4000K)

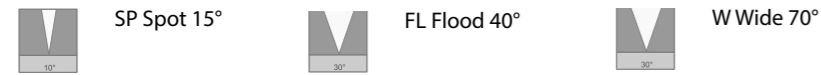
> Technical

IP68
 CLASS III
 UL STD 676
 CSA C22.2#89
 Installation depth up to 5m
 Pools and fountains
 Chlorine and saline environment
 Stainless steel 316L
 Cable 3m, 6m 9m, 20m

> Color

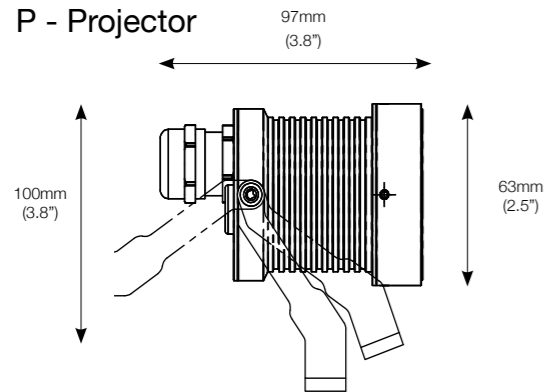
30 - 3000K
 40 - 4000K
 RGBW (W - 4000K)
 3 Step MacAdam
 CRI: > 85

> Optics

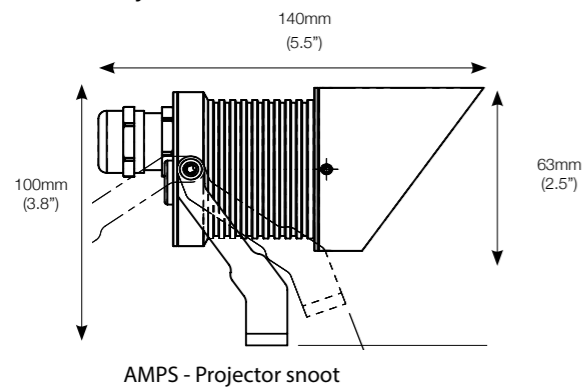


> Installation

P - Projector



PS - Projector snoot



> Installation housing order codes

AMPS - projector snoot

Ordering Information

AMP				12	
Model	Power	Color Temp.	Optics	Voltage	Options
AMP	L	30	SP	12	3
		40	FL	24	6
			W		9
H		30			20
		40			
		RGBW			



Power Supply

Power supply On/Off - 12V 104463 - LPV 35 12V 101728 - LPV 60 12V 104582 - LPV 150 12V Power supply with integrated controls - 12V 102345 - ELDOLED Linear Drive 100S (DXM,DALI+PS) Controls - 12V 104472 - PWM 120-12 DALI 12V 104158 - PWM 60-12 1-10V 12V	Power supply On/Off - 24V 103227 - LPV 35W 24V 100996 - LPV 60W 24V 104460 - LPV 150W 24V Power supply with integrated controls - 24V 102345 - ELDOLED Linear Drive 100S (DXM,DALI+PS) Controls - 24V 104406 - MONO DALI 240W 101047 - OTI DALI DIM 120W 1CH 103507 - OT250/220...240V/24V DIM (1/10V)
---	--

FILIX

H20

Arpool XM Projector



Underwater LED projector with high performance optics with snoot option. Glass lens creates optical effect of narrow and wide beam. For private and public water features.



Arpool XM Projector

> Electrical

12/24 Vdc fixture voltage
 L - 21W - 1700 lm
 L - 21W - RGBW (W - 4000K)

> Technical

IP68
 CLASS III
 UL STD 676
 CSA C22.2#89

Installation depth 5m
 Pools and water features
 Chlorine and saline environment
 Stainless steel 316L
 Cable 3m, 6m 9m, 20m

> Color

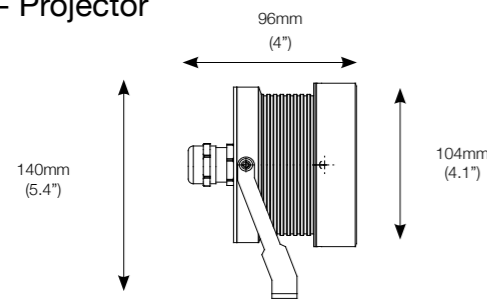
30 - 3000K
 40 - 4000K
 RGBW (W - 4000K)
 3 Step MacAdam
 CRI: > 85

> Optics

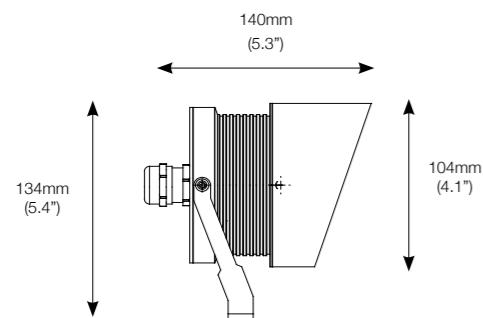


> Installation

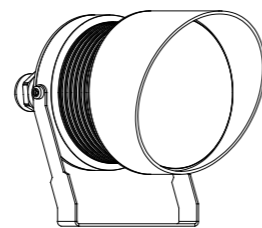
P - Projector



PS - Projector snoot



AXMPS - Projector snoot



> Installation housing order codes

AXMPS - projector snoot

Ordering Information

AXMP					
Model	Power	Color Temp.	Optics	Voltage	Options
AXMP	L	30	SP	12	3
		40	FL	24	6
		RGBW	W		9
			SE		20



Power Supply

Power supply On/Off - 12V

104463 - LPV 35 12V
 101728 - LPV 60 12V
 104582 - LPV 150 12V

Power supply with integrated controls - 12V

102345 - ELDOLED Linear Drive 100S (DXM,DALI+PS)

Controls - 12V

104472 - PWM 120-12 DALI 12V
 104158 - PWM 60-12 1-10V 12V

Power supply On/Off - 24V

103227 - LPV 35W 24V
 100996 - LPV 60W 24V
 104460 - LPV 150W 24V

Power supply with integrated controls - 24V

102345 - ELDOLED Linear Drive 100S (DXM,DALI+PS)

Controls - 24V

104406 - MONO DALI 240W
 101047 - OTI DALI DIM 120W 1CH
 103507 - OT250/220...240V/24V DIM (1/10V)

FILIX

H2O

Arpool S



Underwater LED with high performance optics with trim and trimless options. Glass lens creates optical effect of narrow and wide beam. For private, public and hospitality pools.



Arpool S

> Electrical

12/24 VDC fixture voltage
 L - 3W - 250 lm - wattage to be used out of the water permanently
 H - 6W - 450 lm
 H - 6W - RGBW (W - 4000K)

> Technical

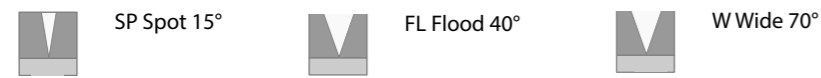
IP68
 CLASS III
 UL STD 676
 CSA C22.2#89

Installation depth 5m
 Concrete and stainless pools
 Chlorine and saline environment
 Stainless steel 316L
 Cable 3m, 6m 9m, 20m

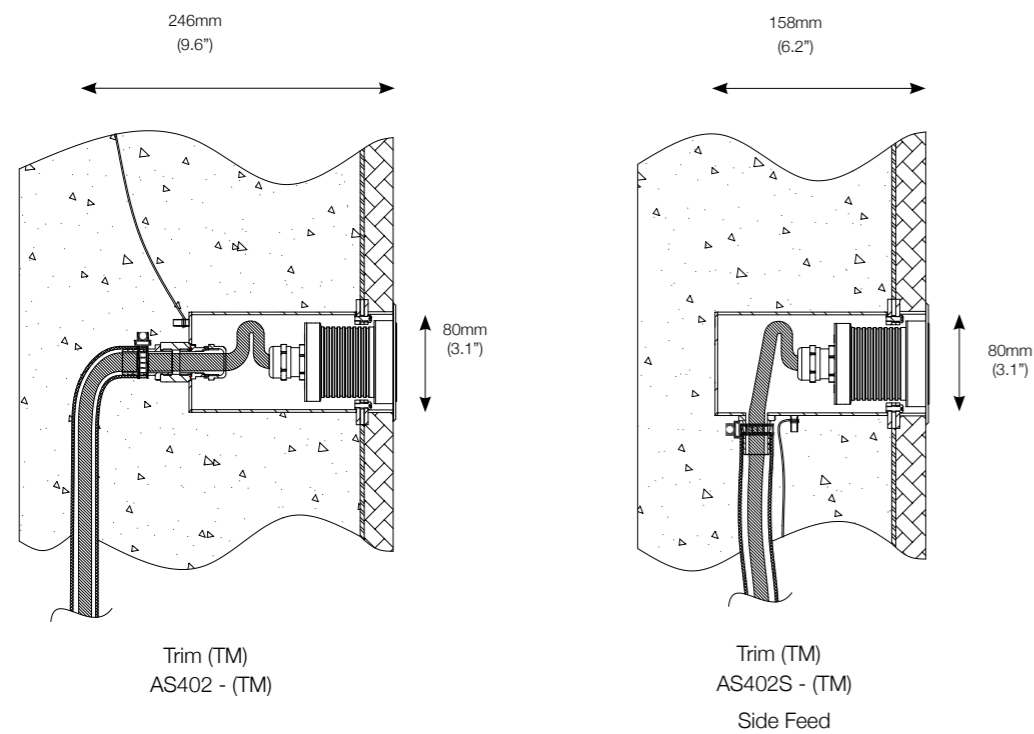
> Color

30 - 3000K
 40 - 4000K
 RGBW (W - 4000K)
 3 Step MacAdam
 CRI: > 85

> Optics



> Installation



> Installation housing order codes

AS402 - back feed
 AS402S - side feed
 AS402SP - stainless steel pool
 AS402LN - liner pool

Ordering Information						
AS	TM					
Model	Installation	Power	Color Temp.	Optics	Voltage	Options
AS	TM	L	30	SP	12	3
			40	FL	24	6
		H	30	W		9
			40			20
			RGBW			



Power Supply	
Power supply On/Off - 12V 104463 - LPV 35 12V 101728 - LPV 60 12V 104582 - LPV 150 12V	Power supply On/Off - 24V 103227 - LPV 35W 24V 100996 - LPV 60W 24V 104460 - LPV 150W 24V
Power supply with integrated controls - 12V 102345 - ELDOLED Linear Drive 100S (DXM,DALI+PS)	Power supply with integrated controls - 24V 102345 - ELDOLED Linear Drive 100S (DXM,DALI+PS)
Controls - 12V 104472 - PWM 120-12 DALI 12V 104158 - PWM 60-12 1-10V 12V	Controls - 24V 104406 - MONO DALI 240W 101047 - OTI DALI DIM 120W 1CH 103507 - OT250/220...240V/24V DIM (1/10V)

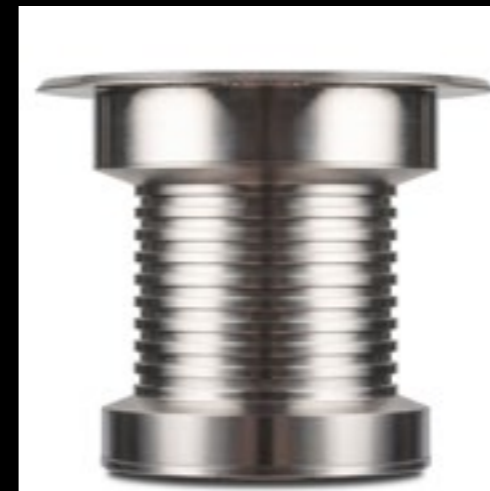
FILIX

H2O

Arpool M



Underwater LED with high performance optics with trim option. Glass lense creates optical effect of narrow and wide beam. For private, public and hospitality pools.



Arpool M

> Electrical

12/24 VDC fixture voltage
 L - 9W - 600 lm
 H - 15W - 1000 lm
 H - 15W - RGBW (W - 4000K)

> Technical

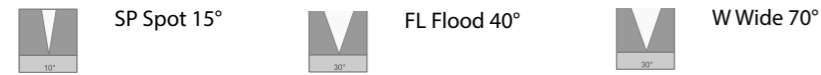
IP68
 CLASS III
 UL STD 676
 CSA C22.2#89

Installation depth 5m
 Concrete and stainless pools
 Chlorine and saline environment
 Stainless steel 316L
 Cable 3m, 6m 9m, 20m

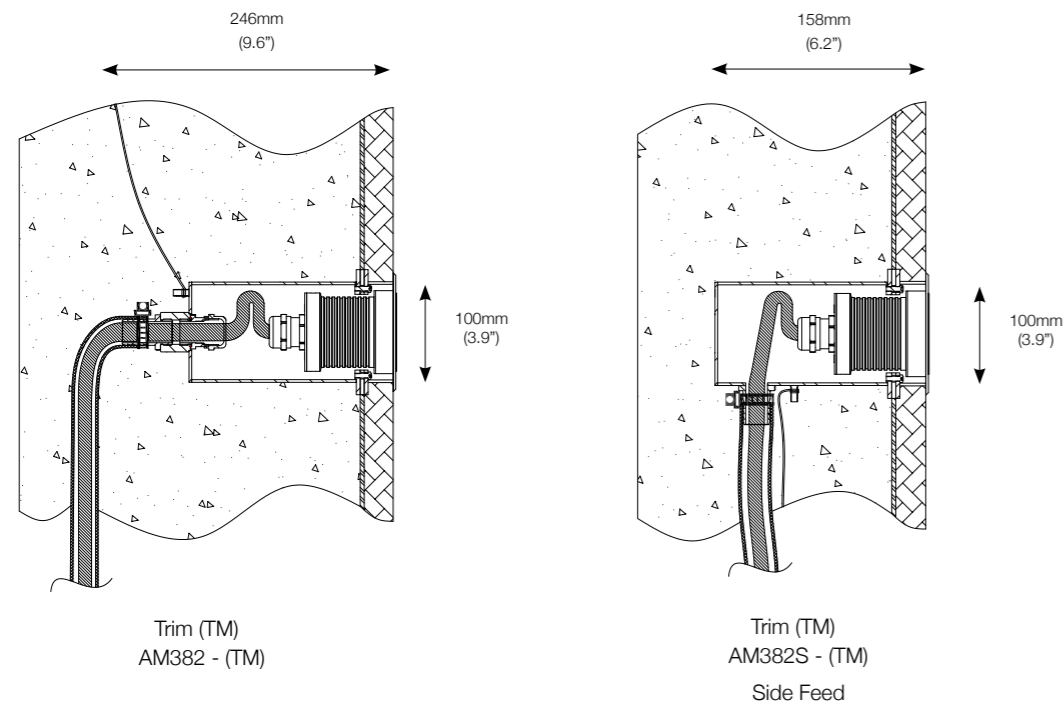
> Color

30 - 3000K
 40 - 4000K
 RGBW (W - 4000K)
 3 Step MacAdam
 CRI: > 85

> Optics



> Installation



> Installation housing order codes

AM382 - back feed
 AM382S - side feed
 AM382SP - stainless steel pool
 AM382LN - liner pool

Ordering Information						
AM	TM					
Model	Installation	Power	Color Temp.	Optics	Voltage	Options
AM	TM	L	30	SP	12	3
			40	FL	24	6
		H	30	W		9
			40			20
			RGBW			



Power Supply	
Power supply On/Off - 12V 104463 - LPV 35 12V 101728 - LPV 60 12V 104582 - LPV 150 12V	Power supply On/Off - 24V 103227 - LPV 35W 24V 100996 - LPV 60W 24V 104460 - LPV 150W 24V
Power supply with integrated controls - 12V 102345 - ELDOLED Linear Drive 100S (DXM,DALI+PS)	Power supply with integrated controls - 24V 102345 - ELDOLED Linear Drive 100S (DXM,DALI+PS)
Controls - 12V 104472 - PWM 120-12 DALI 12V 104158 - PWM 60-12 1-10V 12V	Controls - 24V 104406 - MONO DALI 240W 101047 - OTI DALI DIM 120W 1CH 103507 - OT250/220...240V/24V DIM (1/10V)

FILIX

H2O

Arpool XM



Underwater LED with high performance optics with trim option. Glass lens creates optical effect of narrow and wide beam. Extreme elegance with high lumen output allows in private, public and hospitality pools.



Arpool XM

> Electrical

12/24 Vdc fixture voltage
 L - 21W - 1700 lm
 L - 21W - RGBW (W - 4000K)

> Technical

IP68
 CLASS III
 UL STD 676
 CSA C22.2#89

Installation depth 5m
 Concrete and stainless pools
 Chlorine and saline environment
 Stainless steel 316L
 Cable 3m, 6m 9m, 20m

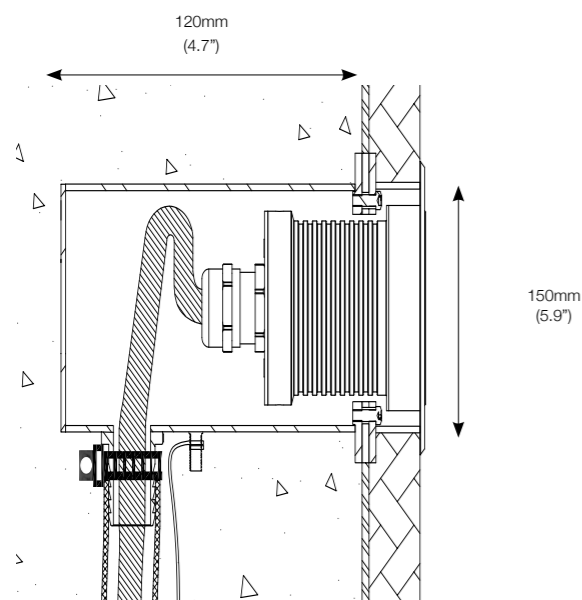
> Color

30 - 3000K
 40 - 4000K
 RGBW (W - 4000K)
 3 Step MacAdam
 CRI: > 85

> Optics



> Installation



Trim (TM)
 AXM390 - (TM)

> Installation housing order codes

AXM390 - TM
 AXMLN - Liner pool
 AXMSS - Stainless steel pool

Ordering Information						
Model	Installation	Power	Color Temp.	Optics	Voltage	Options
AXM					12	
AXM	TM	L	30 40 RGBW	SP FL W SE	12 24	3 6 9 20



Power Supply	
Power supply On/Off - 12V 104463 - LPV 35 12V 101728 - LPV 60 12V 104582 - LPV 150 12V	Power supply On/Off - 24V 103227 - LPV 35W 24V 100996 - LPV 60W 24V 104460 - LPV 150W 24V
Power supply with integrated controls - 12V 102345 - ELDOLED Linear Drive 100S (DXM,DALI+PS)	Power supply with integrated controls - 24V 102345 - ELDOLED Linear Drive 100S (DXM,DALI+PS)
Controls - 12V 104472 - PWM 120-12 DALI 12V 104158 - PWM 60-12 1-10V 12V	Controls - 24V 104406 - MONO DALI 240W 101047 - OTI DALI DIM 120W 1CH 103507 - OT250/220...240V/24V DIM (1/10V)

FILIX

H2O

Arpool L



Underwater LED with high performance optics with trim and trimless options. PC lens creates optical effect of narrow and wide beam. For private, public and hospitality pools.

Arpool L

> Electrical

12/24 VDC fixture voltage
 L - 35W - 2625 lm
 H - 65W - 4400 lm
 L - 35W - RGBW (W - 4000K)
 H - 65W - RGBW (W - 4000K)

> Technical

IP68
 CLASS III
 UL STD 676
 CSA C22.2#89
 *Corrosion protection C4
 Severe ISO9227

Installation depth 5m
 Concrete and stainless pools
 Chlorine and saline environment
 Stainless steel 316L
 Cable 3m, 6m 9m, 20m

> Color

30 - 3000K
 40 - 4000K
 RGBW (W - 4000K)
 3 Step MacAdam
 CRI: > 85

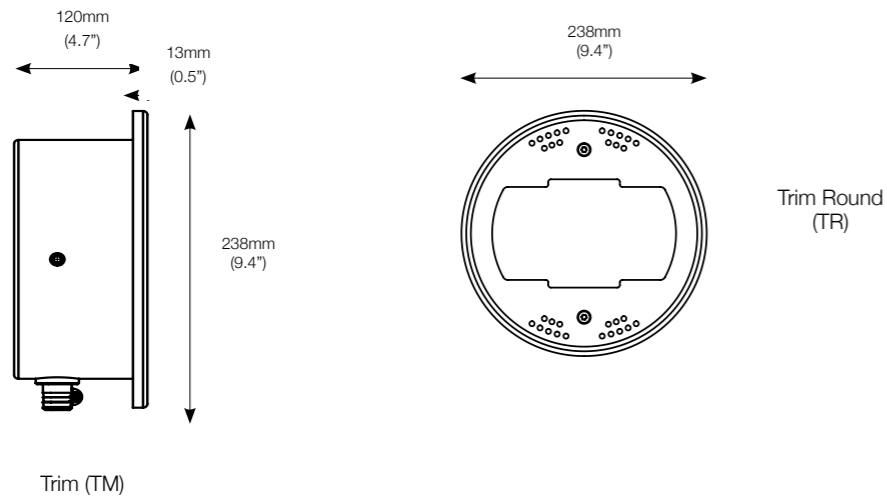
> Finish

P - Polished

> Optics



> Installation



> Installation housing order codes

AL370 - TM
 AL370SP - stainless steel pool
 AL370LN - liner pool

Ordering Information							
Model	Installation	Finish	Power	Color Temp.	Optics	Voltage	Options
AL	TR	P	L	30	SP	12	3
			H	40	FL	24	6
				RGBW	W		9
					EL		20
					SE		

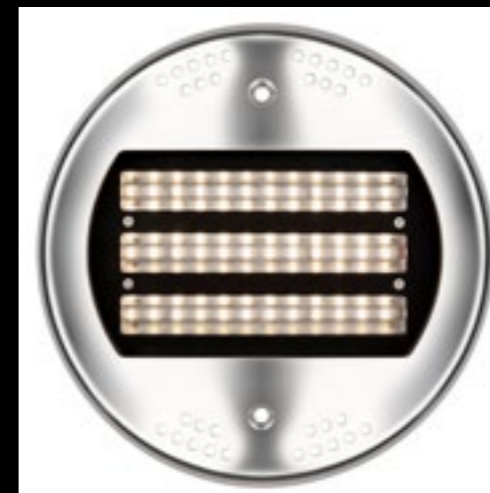


Power Supply	
Power supply On/Off - 12V 104463 - LPV 35 12V 101728 - LPV 60 12V 104582 - LPV 150 12V Power supply with integrated controls - 12V 102345 - ELDOLED Linear Drive 100S (DXM,DALI+PS) Controls - 12V 104472 - PWM 120-12 DALI 12V 104158 - PWM 60-12 1-10V 12V	Power supply On/Off - 24V 103227 - LPV 35W 24V 100996 - LPV 60W 24V 104460 - LPV 150W 24V Power supply with integrated controls - 24V 102345 - ELDOLED Linear Drive 100S (DXM,DALI+PS) Controls - 24V 104406 - MONO DALI 240W 101047 - OTI DALI DIM 120W 1CH 103507 - OT250/220...240V/24V DIM (1/10V)

FILIX

H2O

Arpool Dawn



Underwater LED with high performance optics with trim option and wide elliptical optics. Glass lens creates optical effect of narrow and super wide beam. Enhanced and modern design for private, public and hospitality pools.

Arpool Dawn

> Electrical

12/24 VDC fixture voltage
 L - 35W - 2900 lm
 L - 35W - RGBW (W - 4000K)

> Technical

IP68
 CLASS III
 UL STD 676
 CSA C22.2#89
 *Corrosion protection C4 Severe ISO9227

Installation depth 5m
 Concrete and stainless pools
 Chlorine and saline environment
 Stainless steel 316L
 Cable 3m, 6m 9m, 20m

> Color

30 - 3000K
 40 - 4000K
 RGBW (W - 4000K)
 3 Step MacAdam
 CRI: > 85

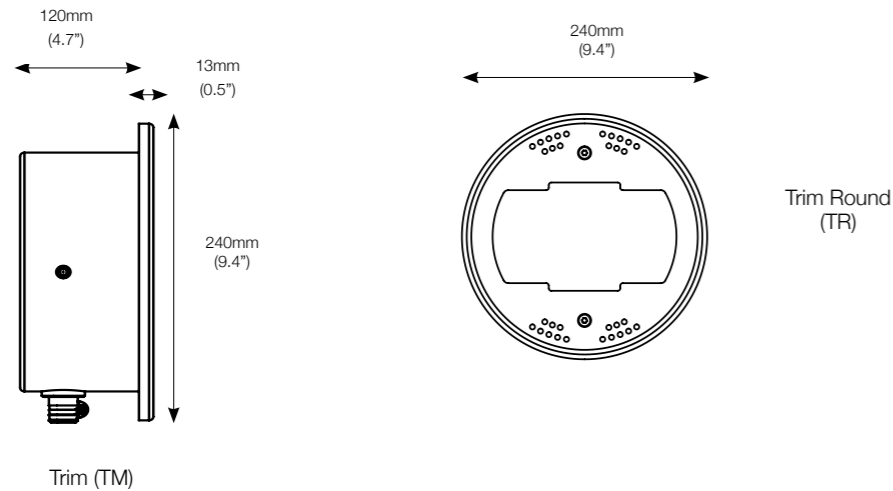
> Finish

P - Polished

> Optics

 EL Elliptical 15x120°
 EA Elliptical Asymmetric 15x120°x15° tilt

> Installation



> Installation housing order codes

AL370 - TM
 AL370 SP - stainless steel pool
 AL370 LN - liner pool

Ordering Information							
Model	Installation	Finish	Power	Color Temp.	Optics	Voltage	Options
ALD	TR	P	L	30 40 RGBW	EL EG	12 24	C 6 9 20



Power Supply	
Power supply On/Off - 12V 101052 - OT30 12V P 101053 - OT60 12V P 100879 - OT120 12V P Power supply with integrated controls - 12V 102345 - ELDOLED Linear Drive 100S (DXM,DALI+PS) Controls - 12V 102788 - OT DMX RGBW DIM 12/24V - 89W 101047 - OTI DALI DIM 60W 1CH 101046 - OT DIM 60W (1-10V)	Power supply On/Off - 24V 103233 - OT60 24V P 103196 - OT130 24V P 103234 - OT250 24V P Power supply with integrated controls - 24V 102345 - ELDOLED Linear Drive 100S (DXM,DALI+PS) Controls - 24V 102788 - OT DMX RGBW DIM 12/24V - 183W 101047 - OTI DALI DIM 120W 1CH 101046 - OT DIM 60W (1-10V)

Arpool Coral



Underwater LED with high performance optics with trim option and wide elliptical optics. Glass lens creates optical effect of narrow and super wide beam. Enhanced and modern design for private, public and hospitality pools.

Arpool Coral

> Electrical

12/24 VDC fixture voltage
 L - 9W - 2700K - 4000K, 90 lm
 L - 9W - RGBW (W4000K)

> Technical

IP68
 CLASS III
 UL STD 676
 CSA C22.2#89

Installation depth 5m and
 outdoor no water
 Concrete and stainless pools
 Chlorine and saline
 environment
 Stainless steel 316L

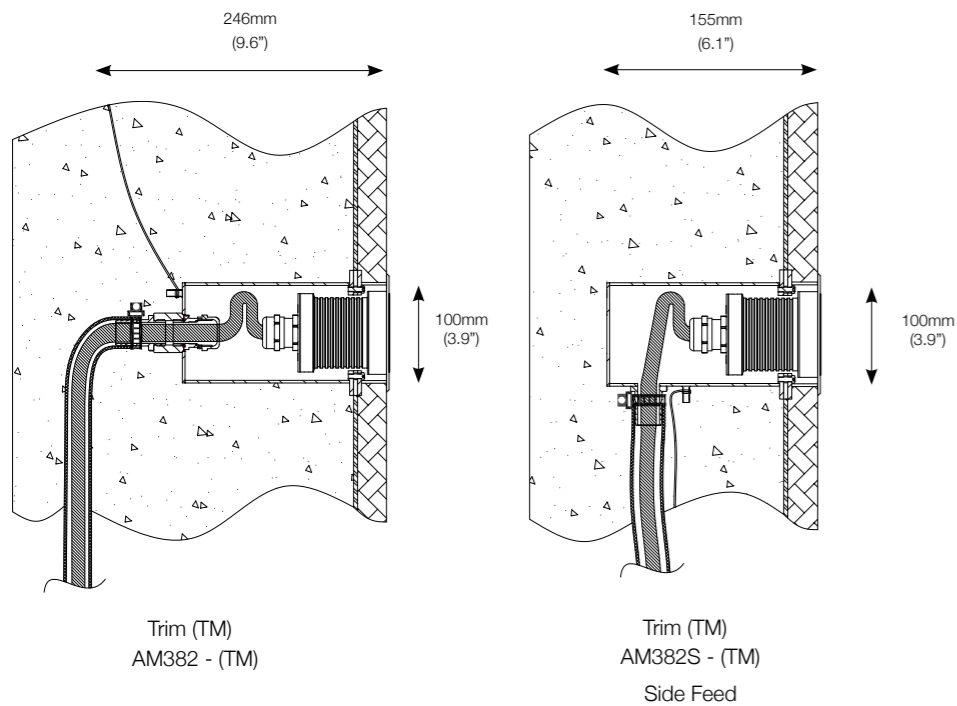
> Color

27 - 2700K
 30 - 3000K
 40 - 4000K
 RGBW (W - 4000K)
 3 Step MacAdam
 CRI: > 85

> Optics

S30, 60, 120 - Single Side 30°, 60°, 120°
 D30, 60, 120 - Double Side 30°, 60°, 120°

> Installation



> Installation housing order codes

AL382 - underwater installation
 AL382 S - underwater installation
 AC60C - exterior/outdoor installation

Ordering Information

Model	Installation	Power	Color Temp.	Optics	Voltage	Options
AC	TM	L	27	S30	12	3
			30	S60	24	6
			40	S120		9
			RGBW	D30		20
				D60		
				D120		



Power Supply

Power supply On/Off - 12V

104463 - LPV 35 12V
 101728 - LPV 60 12V
 104582 - LPV 150 12V

Power supply with integrated controls - 12V

102345 - ELDOLED Linear Drive 100S (DXM,DALI+PS)

Controls - 12V

104472 - PWM 120-12 DALI 12V
 104158 - PWM 60-12 1-10V 12V

Power supply On/Off - 24V

103227 - LPV 35W 24V
 100996 - LPV 60W 24V
 104460 - LPV 150W 24V

Power supply with integrated controls - 24V

102345 - ELDOLED Linear Drive 100S (DXM,DALI+PS)

Controls - 24V

104406 - MONO DALI 240W
 101047 - OTI DALI DIM 120W 1CH
 103507 - OT250/220...240V/24V DIM (1/10V)

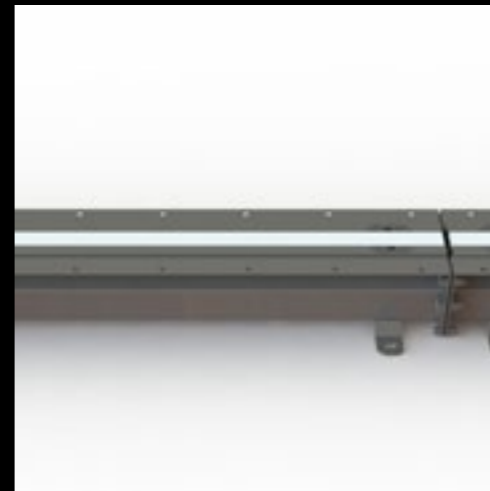
FILIX

H2O

Arpool Nexus



Linear IP68 continuous line of light for underwater pools and fountains application. Specially designed housing and gasket allow feed through connection as well as concrete insulation of installation housing. Single line of light up to 10m in white and RGBW.



Arpool Nexus

> Electrical

12/24VDC fixture voltage
 L - 10W/m 250 lm
 L - 18W/m RGBW (W - 4000K)

> Technical

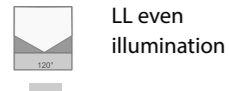
IP68
 CLASS III
 UL STD 676
 CSA C22.2#89

Installation depth 5m
 Continuous line of light
 Chlorine and saline environment
 Stainless steel 316L
 Cable 3m, 6m 9m

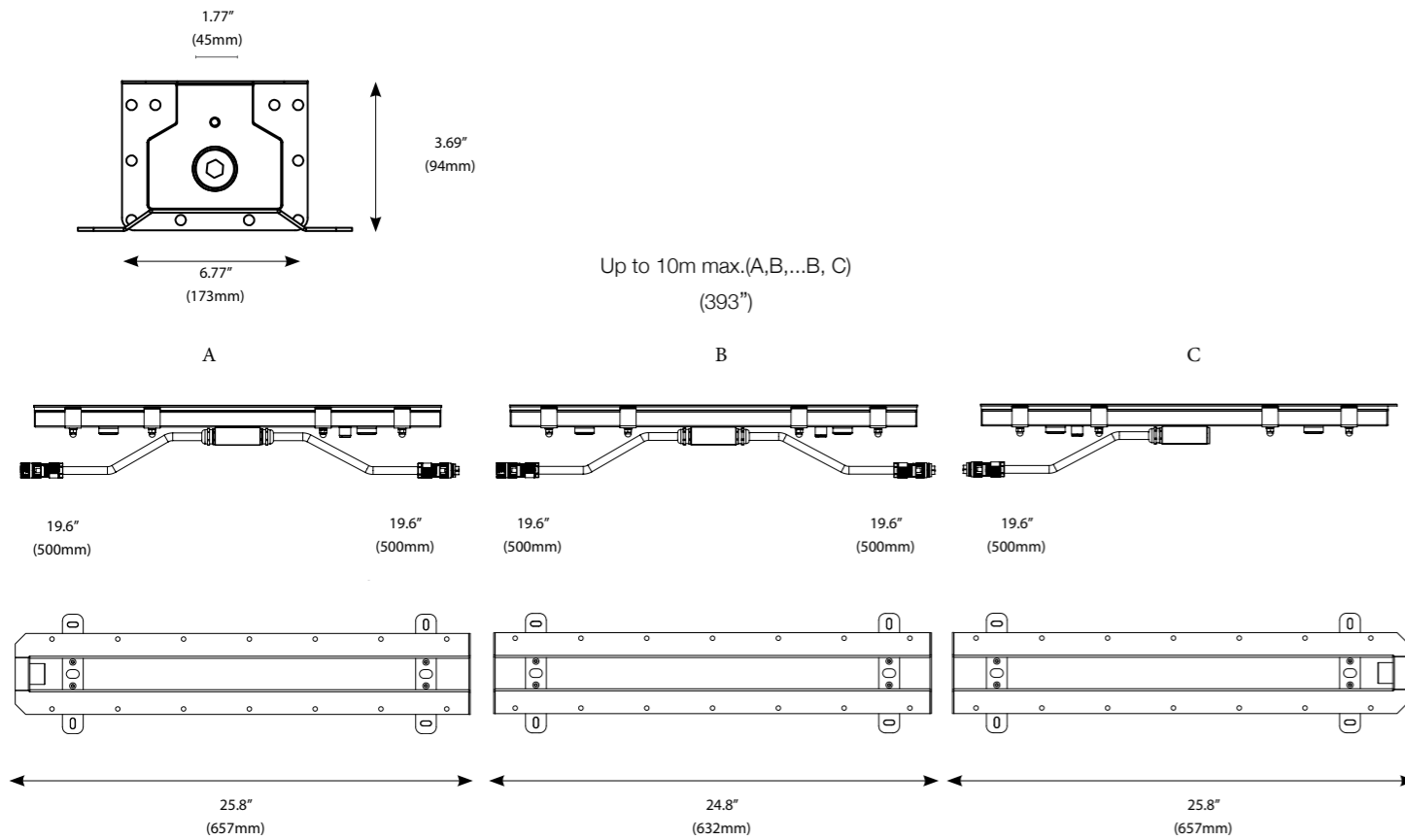
> Color

30 - 3000K
 40 - 4000K
 RGBW
 2 Step MacAdam
 CRI: > 85

> Optics



> Installation



> Installation housing order codes

A501- start (left) installation housing
 B503 - central installation housing
 C505 - end (right) installation housing

Ordering Information

Model	Type	Power	Color Temp.	Optics	Voltage	Options
AX	A	L	30	LL	12	X3 - standard length 10' (3m)
	B		40		24	X6 - 6m (20') cable length
	C		RGBW			X9 - 9m (30') cable length X20 - 20m (65') cable length



Power Supply

Power supply On/Off - 12V

104463 - LPV 35 12V
 101728 - LPV 60 12V
 104582 - LPV 150 12V

Power supply with integrated controls - 12V

102345 - ELDOLED Linear Drive 100S (DXM,DALI+PS)

Controls - 12V

104472 - PWM 120-12 DALI 12V
 104158 - PWM 60-12 1-10V 12V

Power supply On/Off - 24V

103227 - LPV 35W 24V
 100996 - LPV 60W 24V
 104460 - LPV 150W 24V

Power supply with integrated controls - 24V

102345 - ELDOLED Linear Drive 100S (DXM,DALI+PS)

Controls - 24V

104406 - MONO DALI 240W
 101047 - OTI DALI DIM 120W 1CH
 103507 - OT250/220...240V/24V DIM (1/10V)

Arpool Linear Recessed



Linear light with high performance optics for underwater use. Stainless steel 316 L housing with tempered glass lens for recessed installation.





Arpool Linear Recessed

> Electrical

12/24VDC fixture voltage
 L - 39W/m - 3492 lm
 H - 63W/m - 5820 lm
 L - 47W/m - RGBW (W - 4000K)

> Technical

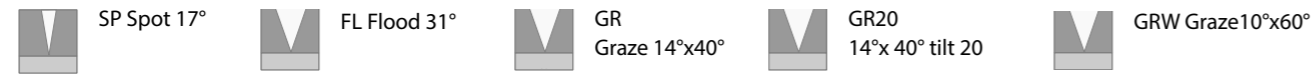
IP68
 CLASS III
 UL STD 676
 CSA C22.2#89

Installation depth 5m
 Concrete pools
 Chlorine and saline environment
 Stainless steel 316L
 Cable 3m, 6m 9m, 20m

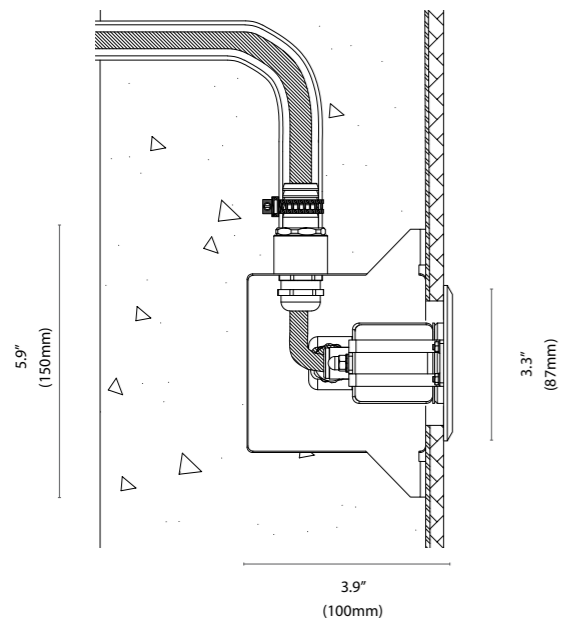
> Color

30 - 3000K
 40 - 4000K
 RGBW (W - 4000K)
 2 Step MacAdam
 CRI: > 85

> Optics



> Installation



> Installation housing order codes

AR413 - 360mm
 AR415 - 660mm

Ordering Information						
Model	Length	Power	Color Temp.	Optics	Voltage	Options
ALR	360 660	L	30 40	SP FL	12 24	3 6
		H	RGBW 30 40	GR GR20 GRW		9 20



Power Supply	
Power supply On/Off - 12V 104463 - LPV 35 12V 101728 - LPV 60 12V 104582 - LPV 150 12V Power supply with integrated controls - 12V 102345 - ELDOLED Linear Drive 100S (DXM,DALI+PS) Controls - 12V 104472 - PWM 120-12 DALI 12V 104158 - PWM 60-12 1-10V 12V	Power supply On/Off - 24V 103227 - LPV 35W 24V 100996 - LPV 60W 24V 104460 - LPV 150W 24V Power supply with integrated controls - 24V 102345 - ELDOLED Linear Drive 100S (DXM,DALI+PS) Controls - 24V 104406 - MONO DALI 240W 101047 - OTI DALI DIM 120W 1CH 103507 - OT250/220...240V/24V DIM (1/10V)

Arpool Style



Linear light with high performance optics for underwater use. High end design and decorative stainless steel painted flange with tempered glass lens and glare control for recessed installation.



Arpool Style

> Electrical

12/24 VDC fixture voltage
 H - 62W/m - 1300 lm
 H - 52W/m - RGBW (W - 4000K)

> Technical

IP68
 CLASS III
 UL STD 676
 CSA C22.2#89
 Corrosion protection C4
 Severe ISO9227

Installation depth 5m
 Concrete and SS pools
 Chlorine and saline environment
 Stainless steel 316L
 Cable 3m, 6m 9m, 20m

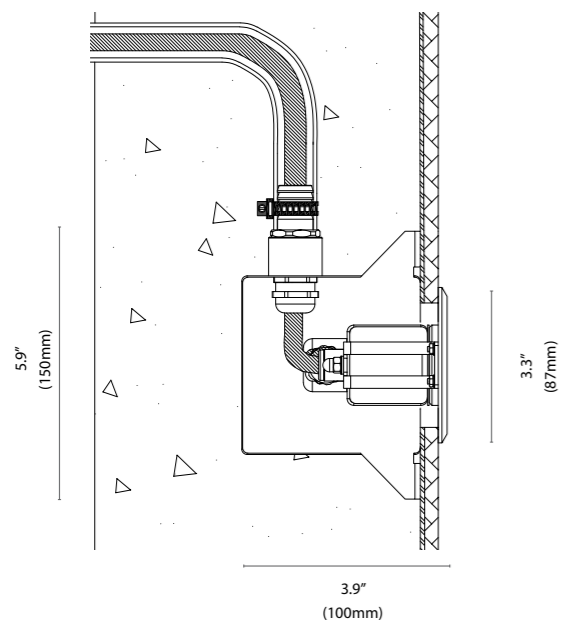
> Color

30 - 3000K
 40 - 4000K
 RGBW (W - 4000K)
 2 Step MacAdam
 CRI: > 85

> Optics

GR
 Graze 10°x50°

> Installation



> Installation housing order codes

AR413 - 360mm
 AR415 - 660mm

Ordering Information						
AY		H			12	
Model	Length	Power	Color Temp.	Optics	Voltage	Options
AY	360	H	30	GR	12	3
	660		40		24	6
			RGBW			9
						20



Power Supply	
Power supply On/Off - 12V 104463 - LPV 35 12V 101728 - LPV 60 12V 104582 - LPV 150 12V	Power supply On/Off - 24V 103227 - LPV 35W 24V 100996 - LPV 60W 24V 104460 - LPV 150W 24V
Power supply with integrated controls - 12V 102345 - ELDOLED Linear Drive 100S (DXM,DALI+PS)	Power supply with integrated controls - 24V 102345 - ELDOLED Linear Drive 100S (DXM,DALI+PS)
Controls - 12V 104472 - PWM 120-12 DALI 12V 104158 - PWM 60-12 1-10V 12V	Controls - 24V 104406 - MONO DALI 240W 101047 - OTI DALI DIM 120W 1CH 103507 - OT250/220...240V/24V DIM (1/10V)

Arpool Linear Surface



Linear light with high performance optics for underwater use. Stainless steel housing with tempered glass lens for surface installation.



Arpool Linear Surface

> Electrical

12/24VDC fixture voltage
 L - 39W/m - 3492 lm - able to be used out of water permanently
 H - 63W/m - 5920 lm
 L - 47W/m - RGBW (W - 4000K)

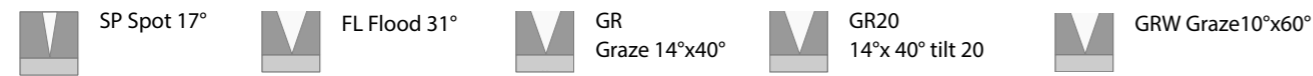
> Technical

IP68
 CLASS III
 UL STD 676
 CSA C22.2#89
 Installation depth 5m
 Pools and water features
 Chlorine and saline environment
 Stainless steel 316L
 Cable 3m, 6m 9m, 20m

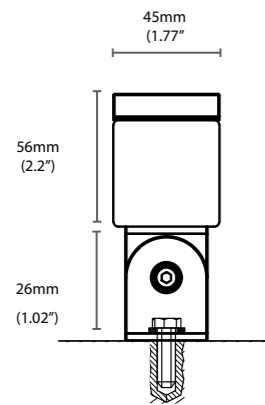
> Color

30 - 3000K
 40 - 4000K
 RGBW (W - 4000K)
 2 Step MacAdam
 CRI: > 85

> Optics



> Installation



Ordering Information

Model	Length	Power	Color Temp.	Optics	Voltage	Options
ALS	320 620	L H	30 40 RGBW 30 40	SP FL GR GR20 GRW	12 24	3 6 9 20



Power Supply	
Power supply On/Off - 12V 104463 - LPV 35 12V 101728 - LPV 60 12V 104582 - LPV 150 12V Power supply with integrated controls - 12V 102345 - ELDOLED Linear Drive 100S (DXM,DALI+PS) Controls - 12V 104472 - PWM 120-12 DALI 12V 104158 - PWM 60-12 1-10V 12V	Power supply On/Off - 24V 103227 - LPV 35W 24V 100996 - LPV 60W 24V 104460 - LPV 150W 24V Power supply with integrated controls - 24V 102345 - ELDOLED Linear Drive 100S (DXM,DALI+PS) Controls - 24V 104406 - MONO DALI 240W 101047 - OTI DALI DIM 120W 1CH 103507 - OT250/220...240V/24V DIM (1/10V)

FILIX

H2O

Arpool Iris Efecta



Underwater LED projector with high performance optics with angle adjustability option. Glass lens creates optical effect of narrow and wide beam. For private and public pools in rectangular or organic shape.

Arpool Iris Efecta

> Electrical

12/24VDC fixture voltage
 H - 15W - 1200lm
 H - 15W - RGBW (W - 4000K)

> Technical

IP68
 CLASS III
 UL STD 676
 CSA C22.2#89

Adjustable engine
 Installation depth 5m
 Pools and water features
 Chlorine and saline environment
 Stainless steel 316L
 Cable 3m, 6m 9m, 20m

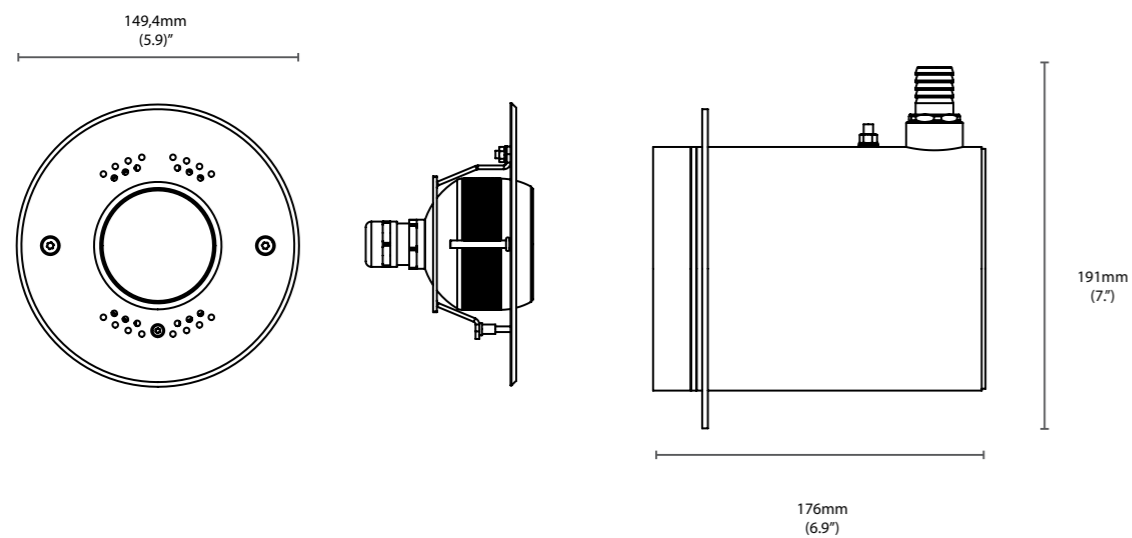
> Color

30 - 3000K
 40 - 4000K
 RGBW (W - 4000K)
 2 Step MacAdam
 CRI: > 85

> Optics



> Installation



> Installation housing order codes

AIE

Ordering Information						
AIE	Installation	Power	Color Temp.	Optics	Voltage	Options
AIE	TM	H	30 40 RGBW	SP FL W	12 24	3 6 9 20

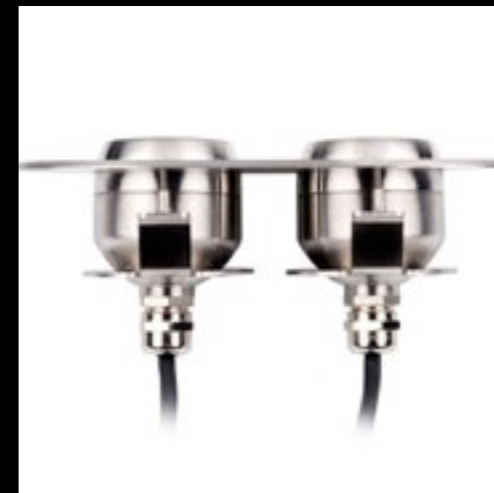


Power Supply	
Power supply On/Off - 12V 104463 - LPV 35 12V 101728 - LPV 60 12V 104582 - LPV 150 12V	Power supply On/Off - 24V 103227 - LPV 35W 24V 100996 - LPV 60W 24V 104460 - LPV 150W 24V
Power supply with integrated controls - 12V 102345 - ELDOLED Linear Drive 100S (DXM,DALI+PS)	Power supply with integrated controls - 24V 102345 - ELDOLED Linear Drive 100S (DXM,DALI+PS)
Controls - 12V 104472 - PWM 120-12 DALI 12V 104158 - PWM 60-12 1-10V 12V	Controls - 24V 104406 - MONO DALI 240W 101047 - OTI DALI DIM 120W 1CH 103507 - OT250/220...240V/24V DIM (1/10V)

Arpool Iris Bifecta



Underwater LED projector with high performance optics with angle adjustability option. Glass lens creates optical effect of narrow and wide beam. For private and public pools in rectangular or organic shape.



Arpool Bifecta

> Electrical

12/24VDC fixture voltage
 H - 30W - 2400lm
 H - 30W - RGBW (W - 4000K)

> Technical

IP68
 CLASS III
 UL STD 676
 CSA C22.2#89

Adjustable engine
 Installation depth 5m
 Pools and water features
 Chlorine and saline environment
 Stainless steel 316L
 Cable 3m, 6m 9m, 20m

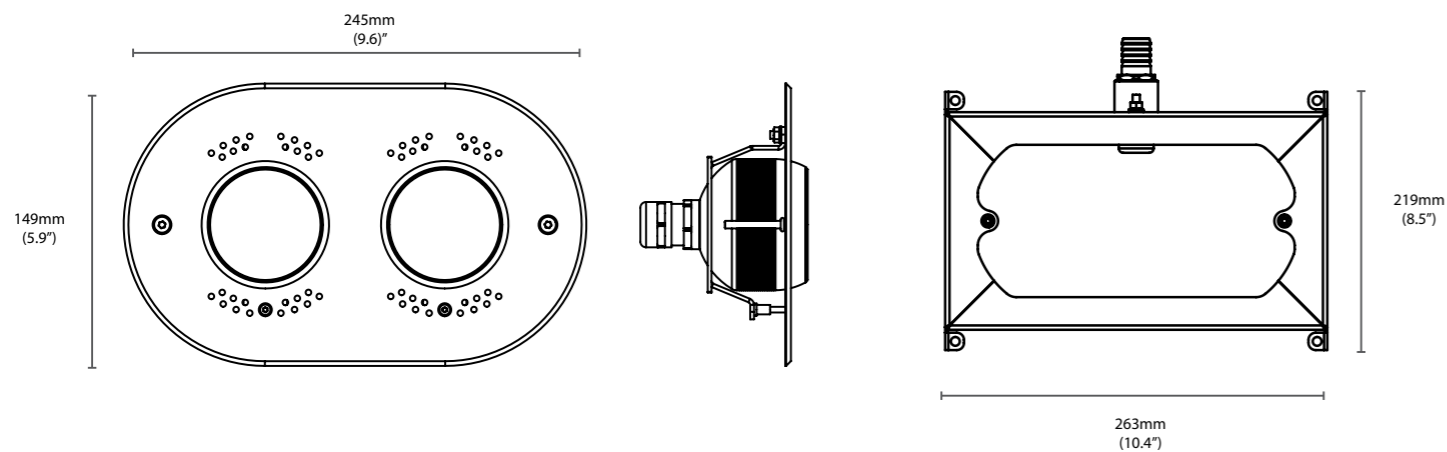
> Color

30 - 3000K
 40 - 4000K
 RGBW (W - 4000K)
 2 Step MacAdam
 CRI: > 85

> Optics



> Installation



> Installation housing order codes

AIB

Ordering Information						
AIB	Installation	Power	Color Temp.	Optics	Voltage	Options
AIB	TM	H	30 40 RGBW	SP FL W	12 24	3 6 9 20



Power Supply	
Power supply On/Off - 12V 104463 - LPV 35 12V 101728 - LPV 60 12V 104582 - LPV 150 12V Power supply with integrated controls - 12V 102345 - ELDOLED Linear Drive 100S (DXM,DALI+PS) Controls - 12V 104472 - PWM 120-12 DALI 12V 104158 - PWM 60-12 1-10V 12V	Power supply On/Off - 24V 103227 - LPV 35W 24V 100996 - LPV 60W 24V 104460 - LPV 150W 24V Power supply with integrated controls - 24V 102345 - ELDOLED Linear Drive 100S (DXM,DALI+PS) Controls - 24V 104406 - MONO DALI 240W 101047 - OTI DALI DIM 120W 1CH 103507 - OT250/220...240V/24V DIM (1/10V)

FILIX

H2O

Arpool Iris Trifecta



Underwater LED projector with high performance optics with angle adjustability option. Glass lens creates optical effect of narrow and wide beam. For private and public pools in rectangular or organic shape.



Arpool Trifecta

> Electrical

12/24VDC fixture voltage
 H - 45W - 3600lm
 H - 45W - RGBW (W - 4000K)

> Technical

IP68
 CLASS III
 UL STD 676
 CSA C22.2#89

Adjustable engine
 Installation depth 5m
 Pools and water features
 Chlorine and saline environment
 Stainless steel 316L
 Cable 3m, 6m 9m, 20m

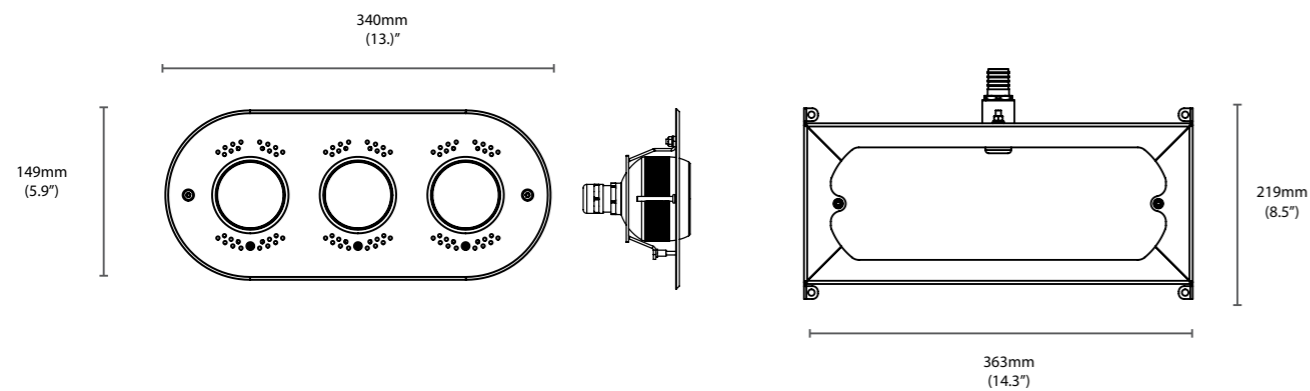
> Color

30 - 3000K
 40 - 4000K
 RGBW (W - 4000K)
 2 Step MacAdam
 CRI: > 85

> Optics



> Installation



> Installation housing order codes

AIT

Ordering Information						
AIT	Installation	Power	Color Temp.	Optics	Voltage	Options
AIT	TM	H	30 40 RGBW	SP FL W	12 24	3 6 9 20



Power Supply	
Power supply On/Off - 12V 104463 - LPV 35 12V 101728 - LPV 60 12V 104582 - LPV 150 12V Power supply with integrated controls - 12V 102345 - ELDOLED Linear Drive 100S (DXM,DALI+PS) Controls - 12V 104472 - PWM 120-12 DALI 12V 104158 - PWM 60-12 1-10V 12V	Power supply On/Off - 24V 103227 - LPV 35W 24V 100996 - LPV 60W 24V 104460 - LPV 150W 24V Power supply with integrated controls - 24V 102345 - ELDOLED Linear Drive 100S (DXM,DALI+PS) Controls - 24V 104406 - MONO DALI 240W 101047 - OTI DALI DIM 120W 1CH 103507 - OT250/220...240V/24V DIM (1/10V)

PAZIN HQ
DUBAI
FRANKFURT
NEW YORK
MANILA
LONDON
SYDNEY



